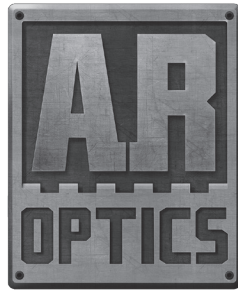


# Bushnell®



## **FIRST STRIKE 2.0**

### ***RED DOT SIGHT OWNER'S GUIDE***

Thank you for purchasing your new Bushnell® AR Optics® Red Dot Sight (illuminated optical sight).

This manual will help you optimize your viewing experience by explaining how to utilize the sight's features and how to care for it. Read the instructions carefully before using your sight.



**WARNING! : DO NOT LOOK AT THE SUN THROUGH THE OPTICS, AS PERMANENT EYE DAMAGE OR EVEN BLINDNESS MAY RESULT.**

## ABOUT THE BUSHNELL® AR OPTICS® TACTICAL RED DOT SIGHTS

All the AR Optics models described in this manual are state-of-the-art sights, engineered especially for competitive shooting and target shooting or plinking with handguns, rifles, and shotguns, as well as hunting at shorter ranges.

Your sight's illuminated reticle has been pre-focused so the aiming point always appears in focus on the target. By comparison, open sights force you to focus on the rear sight, front sight and target at the same time and bring the target into focus.

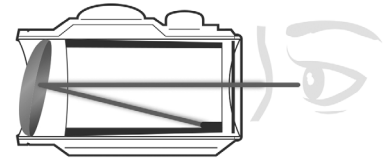
AR Optics Red Dot Sights can be easily used with both eyes open (eye relief is unlimited), increasing the shooter's awareness of the surrounding environment and providing faster target acquisition due to the parallax free design, as the dot follows the movement of the user's eye while remaining fixed on the target. Engineered for greater speed and accuracy, these sights allow you to focus on the target rather than a reticle, thus increasing accuracy.

- The **FIRST STRIKE 2.0 (AR71XRS)** includes a low-profile accessory rail mount and high-rise spacer. These mounting options make the First Strike 2.0 versatile for attaching to traditional or high cheek weld applications. It features an industry-leading battery life of more than 50,000 hours (at a typical brightness level of "5"), with a side compartment battery access and a brighter 3 MOA dot with 10 brightness settings.

**Note:** battery life as listed will vary depending on the brightness settings used (*stated life estimates are based on a typical, medium brightness setting*), freshness and quality of the battery, ambient temperature, and other factors.

## About Red Dot Lens Positioning

All red dot sights have an objective lens at the front of the unit that is spherical in shape. However, unlike a conventional riflescope with all lenses mounted perpendicular (at a 90 degree angle) to the axis of the tube, the objective lens in a red dot sight is positioned off axis and appears to be tilted when looking at the sight (*see below example*). This angle of the front lens allows the light generated by the battery powered LED light source inside the unit to be reflected. The reflected light becomes the "dot" or aiming reference that the shooter sees when a red dot sight is switched on. This engineered "bending" of light is what makes today's red-dot sights so popular and easy to use.



## MOUNTING YOUR AR OPTICS® SIGHT



**WARNING! : BEFORE MOUNTING YOUR SIGHT, REPLACING ITS BATTERY, OR REMOVING OR PERFORMING MAINTENANCE ON THE SIGHT, BE SURE ACTION IS OPEN, CLIP OR MAGAZINE IS REMOVED AND A ROUND IS NOT IN THE CHAMBER. DO NOT ATTEMPT ANY WORK UNTIL THE GUN HAS BEEN CLEARED AND DETERMINED TO BE SAFE.**

Your AR Optics Sight includes a riser block.

The base you use with your sight should be manufactured specifically for your pistol, rifle or shotgun and should create a uniform horizontal and vertical mounting platform. Be sure they are properly installed and securely fastened according to the manufacturer's instructions for your safety. There is no set eye relief for your AR Optics sight; therefore, you should provide at least three inches of clearance between the viewing lens and your eye when in the shooting position. Note that firearms with adjustable length-of-pull ("LOP") buttstocks can affect or limit the amount of usable eye relief.

Set the mount onto the base so that it aligns with the crosscut grooves. Loosen the mount's cross-bolt and fit the mount into the base until the cross-bolt seats into the groove. Forward load the mount, so that the crossbolt engages the forward lug and clearance is removed. While holding the unit in position, securely tighten the screw until the movable clamp plate is secure. Refer to the PARTS GUIDE for fastener torque values.



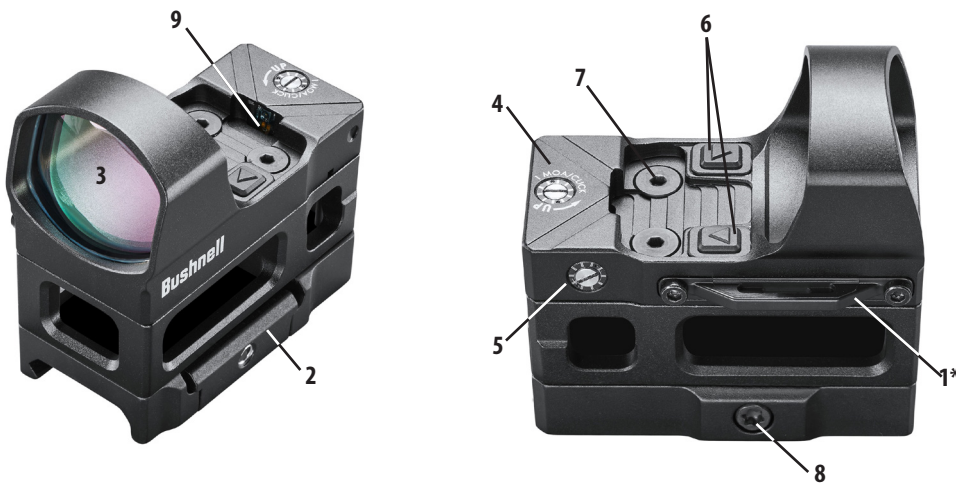
**WARNING: IF THE SIGHT IS NOT MOUNTED FAR ENOUGH FORWARD, ITS REARWARD MOTION MAY INJURE THE SHOOTER WHEN THE RIFLE RECOILS.**

## MOUNTING DETAILS

1. Any Weaver or Picatinny style base is suitable for mounting the First Strike 2.0. Make sure the base you use is manufactured specifically for your pistol, rifle or shotgun. Be sure the base is properly installed and securely fastened according to the manufacturer's instructions for your safety.
2. Loosen the hex bolt on the mount of the sight using the provided tool. Position the mount on your base rail so that the crossbolt engages a slot. Tighten the hex bolt. **CAUTION: Do not overtighten.**

## PARTS GUIDE

1. Battery Compartment
2. Mount (*Hi-Rise is included but not pre-installed on First Strike.*)
3. Lens
4. Elevation Adjustment
5. Windage Adjustment
6. Brightness Control
7. Small Hex Bolts (12-15 lb<sup>f</sup>\*in)
8. Mount Cross-bolt (15-18 lb<sup>f</sup>\*in)
9. LED



1\* - Battery Compartment Detail



*Note: Your battery compartment design may differ from what is shown, but the battery orientation is the same.*

## ACTIVATING THE BATTERY

Before powering on your sight for the first time, you will need to open the battery compartment and remove the protective sticker or plastic disc from the battery. Alternatively, the battery may not be installed and is provided within a polybag. See the Parts Guide for the location of the battery compartment.

## REPLACING THE BATTERY

Should your reticle grow dim or not light at all, replace the battery. To install a new battery, pull out the battery tray\*. Insert a new CR2032 lithium battery, noting the position of the positive and negative sides (negative up). Replace battery cover and if applicable, tighten holding screws.

*\*(if necessary, insert a small screwdriver in the open slot of the battery tray to gently leverage the tray out slightly first)*

**CAUTION: When replacing the battery cover, be sure that the O-ring is present and not damaged. Failure to do so could result in water leakage into the battery compartment.**

Verify that red dot is present by switching the power on and increasing the brightness if necessary (see next section).

## SWITCHING POWER ON/OFF

To turn the sight's power on, press either the Brightness "Up" or "Down" button (6, *Parts Guide*). To switch off the sight, hold the Brightness "Down" button for 3 seconds. By default, a timer will automatically switch power off after 12 hours to extend battery life, if no button has been pressed. Switch power on again to continue using the sight if necessary. To turn the timer off and enable continuous power, while the unit is turned on, press and hold both arrow buttons for three seconds. The red dot will slowly blink 3 times to confirm "timer off". *Note: If you disable the timer, be sure to manually turn power off before storing the sight away or when not using it for long periods of time, to prevent draining the battery.*

To reactivate the 12 hour timer, press and hold both arrow buttons for 3 seconds again. The red dot will rapidly blink four times to confirm "timer on", and the countdown will start. Pressing any button while using the sight will restart the timer. Any time the battery is removed or replaced, the unit will power on in its default state, which means the timer function is engaged.

## ADJUSTING DOT BRIGHTNESS

To adjust the brightness level of the dot reticle:

Press and release the "Up" arrow button to increase brightness. Press and release the "Down" arrow button to decrease brightness.

## SIGHTING IN/ZEROING YOUR AR OPTICS® SIGHT



**WARNING! : SINCE THIS PROCEDURE INVOLVES LIVE FIRE, IT SHOULD BE DONE AT AN APPROVED RANGE OR OTHER SAFE AREA. CHECK BORE FOR OBSTRUCTIONS. AN OBSTRUCTED BORE MAY CAUSE INJURY TO YOU AND OTHERS NEAR BY. EYE & EAR PROTECTION IS RECOMMENDED.**

1. With the sight mounted, rest the firearm on a solid support. Switch on the sight's power and adjust brightness as needed until dot is easily visible.
2. Start by sighting along the barrel (if the firearm type allows, traditional or laser bore-sighting is generally helpful) and aim at a target 25 to 50 yards away. View through your First Strike sight and gently rotate the windage and/or elevation adjustments, using the supplied tool to align the red dot with the target as seen along the barrel.
3. You should then fire a test shot group to determine the point of impact of your firearm's projectile. If you are not hitting your aiming point (the center of the target) make an adjustment by turning the windage or elevation screw(s) in the direction you want the point-of-impact to move. The chart on the right will aid you in determining the proper amount of adjustment necessary to change the point of impact, depending upon the range at which you are shooting.

### Point of Impact Chart

Distance	1 Full Revolution of Adjustment Screw
25 yds	7.5 inches
50 yds	15 inches
100 yds	30 inches
Distance	1 Hash Mark of Adjustment Screw
25 yds	.75 inches
50 yds	1.5 inches
100 yds	3 inches

## OPERATION UNDER EXTREME CONDITIONS

- **Extreme heat (moist or dry):** no special procedures required. Avoid prolonged exposure if possible.
- **Extreme cold:** extreme low temperature may shorten battery life. It could also make the rotary dial (brightness control) on the Incinerate/Enrage a little harder to turn than at normal temperatures.
- **Salt air:** no special procedures required.
- **Sea spray, water, mud and snow:** ensure that battery cap and the two adjustment caps (if present) are tightened before exposing the sight to sea spray, mud, snow or before immersing the sight in water. Hand tighten only. Keep lens covers closed when sight is not being used. Clean lenses with lens paper/cloth (see caution note below) and wipe the sight dry as soon as possible after exposure to water, sea spray, mud or snow.
- **Dust storms and sand storms:** keep lens covers closed when sight is not being used.

**CAUTION:** The lenses shall never be cleaned with fingers but with lens paper/cloth, to avoid scratching the glass.

Use a soft brush or "canned air" to remove any loose debris (sand, grass, etc.) prior to using the lens paper or soft clean cloth.

## TROUBLE SHOOTING

**Problem: Red Dot Does Not Appear**

**Possible Causes/Solutions:**

- **Discharged battery:** Replace battery with a new CR2032 lithium cell.
- **Battery installed incorrectly:** Remove and reinstall battery, referring to the Parts Guide battery compartment image.
- **Battery not making good contact:** Clean contact surfaces and reinstall battery.
- **Defective Rotary Switch:** Contact Bushnell customer service.

**Problem: Impossible To Zero**

**Possible Causes/Solutions:**

- **Adjustment screw is at its limit:** Check alignment of mount to barrel.
- **Impact point is moving:** Check mount and weapon rail (or carry handle) stability.



Products manufactured on or after June 2020 are covered by the Bushnell Ironclad Warranty. The Ironclad Warranty is a full lifetime warranty that covers the lifetime of this Product. Each Product has a defined lifetime; lifetimes can range from 1 to 30 years. This Product's lifetime can be found at the website listed below and/or on the Bushnell webpage specific to this Product.

We warrant that this Product is free from defects in materials and workmanship and will meet all represented performance standards for the lifetime of this Product. If this Product isn't working properly due to a covered defect, we will, at our option, either repair or replace it and ship it back to you at no charge. This warranty is fully transferable and does not require a receipt, warranty card, or product registration. This warranty does not cover the following: electronic components; batteries; cosmetic damage; damage caused by failing to properly maintain the product; loss; theft; damage as a result of unauthorized repair, modification, or disassembly; intentional damage, misuse, or abuse; and ordinary wear and tear. This Warranty will be void if the date stamp or other serialization codes have been removed from the Product.

To view the full warranty and find details on how to request service under the warranty, go to our website at [www.bushnell.com/warranty](http://www.bushnell.com/warranty). Alternatively, you can request a copy of the warranty by calling us at 1-800-423-3537 or writing to us at one of the following addresses:

IN U.S.A. Send To:

Bushnell Outdoor Products  
Attn.: Repairs  
9200 Cody  
Overland Park, Kansas 66214

IN CANADA Send To:

Bushnell Outdoor Products  
Attn.: Repairs  
140 Great Gulf Drive, Unit B  
Vaughan, Ontario L4K 5W1

For products purchased outside the United States or Canada please contact your local dealer for applicable warranty information.

This warranty gives you specific legal rights.  
You may have other rights which vary from country to country.

©2021 Bushnell Outdoor Products

## FCC Statement

This device complies with part 15 of the FCC Rules. Operation is subject to the following two conditions: (1) This device may not cause harmful interference, and (2) this device must accept any interference received, including interference that may cause undesired operation.

This equipment has been tested and found to comply with the limits for a Class B digital device, pursuant to Part 15 of the FCC Rules. These limits are designed to provide reasonable protection against harmful interference in a residential installation.

This equipment generates, uses and can radiate radio frequency energy and, if not installed and used in accordance with the instructions, may cause harmful interference to radio communications. However, there is no guarantee that interference will not occur in a particular installation.

If this equipment does cause harmful interference to radio or television reception, which can be determined by turning the equipment off and on, the user is encouraged to try to correct the interference by one or more of the following measures:

- Reorient or relocate the receiving antenna.
- Increase the separation between the equipment and receiver.
- Connect the equipment into an outlet on a circuit different from that to which the receiver is connected.
- Consult the dealer or an experienced radio/TV technician for help.

Shielded interface cable must be used with the equipment in order to comply with the limits for a digital device pursuant to Subpart B of Part 15 of FCC Rules. Specifications and designs are subject to change without any notice or obligation on the part of the manufacturer.



### Industry Canada Statement :

This device complies with ISED's license-exempt RSSs. Operation is subject to the following two conditions: (1) This device may not cause harmful interference, and (2) this device must accept any interference received, including interference that may cause undesired operation.

Le présent appareil est conforme aux CNR d'ISED applicables aux appareils radio exempts de licence. L'exploitation est autorisée aux deux conditions suivantes: (1) le dispositif ne doit pas produire de brouillage préjudiciable, et (2) ce dispositif doit accepter tout brouillage reçu, y compris un brouillage susceptible de provoquer un fonctionnement indésirable.

### Radiation Exposure Statement / Déclaration d'exposition aux radiations :

This device complies with the Industry Canada portable RF exposure limit set forth for an uncontrolled environment and is safe for the intended operation as described in this manual. Further RF exposure reduction can be achieved if the product can be kept as far as possible from the user's body or if the device is set to a lower output power if such function is available.

Le produit est conforme aux limites d'exposition pour les appareils portables RF pour les Etats-Unis et le Canada établies pour un environnement non contrôlé.

Le produit est sûr pour un fonctionnement tel que décrit dans ce manuel. La réduction aux expositions RF peut être augmentée si l'appareil peut être conservé aussi loin que possible du corps de l'utilisateur ou que le dispositif est réglé sur la puissance de sortie la plus faible si une telle fonction est disponible.

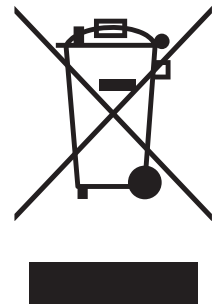
### Disposal of Electric and Electronic Equipment

*(Applicable in the EU and other European countries with separate collection systems)*

This equipment contains electric and/or electronic parts and must therefore not be disposed of as normal household waste. Instead, it should be disposed at the respective collection points for recycling provided by the communities. For you, this is free of charge.

If the equipment contains exchangeable (rechargeable) batteries, these too must be removed before and, if necessary, in turn be disposed of according to the relevant regulations (see also the respective comments in this unit's instructions).

Further information about the subject is available at your community administration, your local waste collection company, or in the store where you purchased this equipment.



 **WARNING: This product uses a Lithium based battery. Lithium batteries can overheat and cause damage if physically abused. Do not use batteries that are damaged or show signs of physical wear.**

Merci d'avoir acheté le viseur point rouge Bushnell® AR Optics® (viseur optique illuminé).

Ce manuel vous aidera à optimiser votre expérience, vous expliquera comment utiliser les fonctionnalités du viseur et vous présentera les modalités d'entretien de cet instrument. Lire attentivement les instructions avant toute utilisation du viseur.



**AVERTISSEMENT ! NE JAMAIS REGARDER LE SOLEIL À TRAVERS LE VISEUR CAR CELA POURRAIT ENTRAÎNER DES LÉSIONS OCULAIRES IRRÉVERSIBLES, VOIRE UNE CÉCITÉ.**

### À PROPOS DU VISEUR POINT ROUGE BUSHNELL® AR OPTICS®

Tous les modèles AR Optics présentés dans ce manuel sont des viseurs de pointe, expressément conçus pour le tir de compétition et de cibles ou pour le plinking avec arme de poing, carabine, fusil de chasse et pour la chasse à courte distance.

La mise au point du réticule lumineux du viseur a été pré-réglée afin que le point de visée apparaisse toujours net sur la cible. À titre de comparaison, les viseurs ouverts forcent une mise au point simultanée à la fois sur la vue arrière, sur la vue avant et sur la cible, puis effectuent la mise au point de cette dernière.

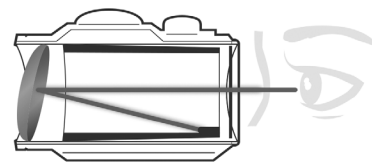
Le viseur point rouge AR Optics peut être utilisé les deux yeux ouverts (dégagement oculaire illimité). Avec les deux yeux ouverts, le tireur dispose d'une meilleure perception de son environnement immédiat. Sa conception sans parallaxe permet un repérage rapide de la cible, car le point suit le mouvement de l'œil de l'utilisateur tout en restant fixé sur la cible. Ces viseurs sont conçus pour une vitesse et précision élevées et permettent à l'utilisateur de se concentrer sur la cible plutôt que sur un réticule, pour une précision améliorée.

- Le viseur **FIRST STRIKE 2.0 (AR71XRS)** comporte un accessoire de montage sur rail compact et un pavé de surélévation. Ces options de montage font du viseur First Strike 2.0 un instrument polyvalent applicable à des utilisations avec calage crosse/joue traditionnel ou haut. Son autonomie de pile est la plus performante du marché avec plus de 50 000 heures (à un niveau de luminosité classique réglé sur « 5 »), dispose d'un accès latéral au logement de la pile et présente un point plus lumineux à 3 mesures d'angle avec 10 réglages de la luminosité. Note: battery life as listed will vary depending on the brightness settings used (stated life estimates are based on a typical, medium brightness setting), freshness and quality of the battery, ambient temperature, and other factors.

**Remarque :** l'autonomie de la pile indiquée est susceptible de varier en fonction des réglages de luminosité utilisés (*l'autonomie mentionnée se base sur un réglage de la luminosité classique et moyen*), de l'état et de la qualité de la pile, de la température ambiante et autres facteurs.

### À propos du positionnement de la lentille point rouge

Tous les viseurs point rouge sont équipés d'une lentille d'objectif de forme sphérique située à l'avant de l'instrument. Cependant, contrairement à une lunette de tir conventionnelle, sur laquelle toutes les lentilles sont montées perpendiculairement (angle de 90 degrés) par rapport à l'axe du tube, la lentille d'objectif d'un viseur point rouge est positionnée en dehors de l'axe. Elle apparaît donc comme inclinée lorsque l'on regarde le viseur (droite). Cet angle de la lentille avant permet à la lumière générée par la source lumineuse DEL, alimentée par la pile et située à l'intérieur de l'appareil, d'être à nouveau réfléchi dans le viseur. La lumière réfléchi devient le « point » ou la référence de pointage que le tireur voit lorsqu'un point rouge est allumé. Ce « fléchissement » de lumière produit est ce qui rend aujourd'hui les viseurs point rouge si populaires et faciles d'utilisation.



### ASSEMBLAGE DU VISEUR AR OPTICS®



**AVERTISSEMENT ! AVANT D'EFFECTUER TOUTE OPÉRATION D'ASSEMBLAGE DU VISEUR, DE REMPLACEMENT DE LA PILE OU D'ENTRETIEN DU VISEUR, S'ASSURER QUE LA CULASSE EST OUVERTE, QUE LE CHARGEUR EST RETIRÉ ET QUE CELUI-CI NE CONTIENT AUCUNE CARTOUCHE. NE PAS INTERVENIR PAS AVANT D'AVOIR VÉRIFIÉ QUE L'ARME EST VIDE ET SÛRE.**

Le viseur AR Optics comprend un pavé de surélévation.

La ou les embases utilisées avec le viseur doivent être fabriquées spécifiquement pour l'arme de poing, carabine ou fusil de chasse utilisés et doit former une plateforme de fixation horizontale et verticale uniforme. Veiller à ce qu'elles soient correctement installées et fixées de manière sécurisée, conformément aux instructions du fabricant pour la sécurité de l'utilisateur. Aucun dégagement oculaire pré-réglé n'est disponible pour le viseur AR Optics ; par conséquent, il convient de laisser au moins 3 pouces (env. 8 cm) de distance entre la lentille et l'œil en position de tir. Veuillez noter que les armes à feu avec crosse à longueur de traction (LOP) réglable peuvent affecter ou limiter le dégagement oculaire utilisable.

Placer le support sur l'embase afin de l'aligner avec les rainures transversales. Dévisser le boulon transversal du support et adapter le support à l'embase jusqu'à ce que le boulon transversal se loge dans la rainure. Insérer le support par l'avant afin d'insérer le boulon transversal dans l'ergot avant et d'éliminer l'interval. Tout en maintenant l'instrument en position, serrer solidement la vis jusqu'au blocage du plateau de fixation mobile. Se référer au GUIDE DES PIÈCES pour les valeurs de couple de serrage.



**AVERTISSEMENT : SI LE VISEUR N'EST PAS MONTÉ SUFFISAMMENT EN AVANT, SON MOUVEMENT VERS L'ARRIÈRE PEUT BLESSER LE TIREUR AU MOMENT DU REcul DE L'ARME.**

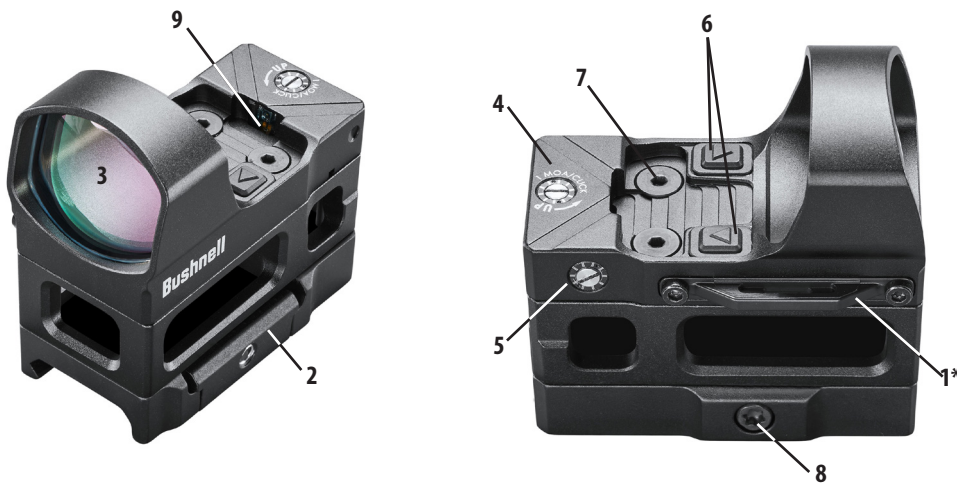
## DÉTAILS DE MONTAGE

1. Desserrer les deux boulons latéraux à l'aide de l'outil polyvalent fourni de sorte que la bague de verrouillage puisse enserrer le rail Picatinny/Weaver.

2. Monter le viseur en positionnant le support sur les rails et en s'assurant que les deux boulons transversaux sont bien logés dans les rainures du rail de fixation. Resserrer les deux vis jusqu'à ce qu'elles soient bien ajustées et tourner à 15 livres-force pouce. **ATTENTION : Ne pas trop serrer.**

### GUIDE DES PIÈCES

1. Logement de la pile
2. Support (Pavé de surélévation inclus mais non installé sur First Strike.)
3. Objectif
4. Réglage de l'élévation
5. Réglage de la dérive
6. Contrôle de la luminosité
7. Petits boulons à six pans (12 à 15 livres-force pouce)
8. Boulon transversal de support (15 à 18 livres-force pouce)
9. LED



1\* - Détail du logement de la pile



Pôle positif (+) vers le haut, négatif (-) vers le bas.  
*Remarque : Le type de logement de la pile peut varier par rapport à l'illustration, mais l'orientation de la pile est identique.*

## ACTIVATION DE LA PILE

Avant de mettre le viseur en marche pour la première fois, ouvrir le logement de la pile et ôter l'autocollant ou le disque en plastique de protection de la pile. Consulter le Guide des pièces pour identifier le logement de la pile sur le modèle utilisé.

## REMPACEMENT DE LA PILE

Si le réticule s'assombrit ou ne s'allume plus, remplacer la pile. Pour installer une nouvelle pile, dévisser le couvercle du logement de la pile à l'aide d'une pièce de monnaie. Insérer une nouvelle pile au lithium CR2032, en veillant à bien positionner les pôles positif et négatif, variables en fonction des modèles (voir Guide des pièces). Replacer le couvercle de la pile.

*\*(le cas échéant, insérer d'abord un petit tournevis dans la fente ouverte du réceptacle de la pile pour surélever légèrement le plateau)*

**ATTENTION : En remplaçant le couvercle de la pile, s'assurer que le joint torique est présent et n'est pas endommagé. À défaut, de l'eau pourrait pénétrer dans le logement de la pile.**

Vérifier que le point rouge est présent en mettant l'appareil sous tension et en augmentant la luminosité si nécessaire (voir section suivante).

## MISE EN MARCHÉ/ARRÊT

Pour mettre le viseur sous tension, appuyer sur le bouton fléché de luminosité « Haut » ou « Bas » (6, Guide des pièces). Pour éteindre le viseur, maintenir enfoncé le bouton fléché de luminosité « Bas » pendant 3 secondes. Par défaut, un minuteur éteint automatiquement l'instrument après 12 heures afin de prolonger l'autonomie de la pile si aucun bouton n'est actionné. Le cas échéant, rallumer le viseur si on souhaite l'utiliser à nouveau. Pour désactiver le minuteur et utiliser l'appareil en continu jusqu'à sa mise hors tension, appuyer et maintenir les deux boutons fléchés pendant trois secondes lorsque l'instrument est allumé. Le point rouge clignote lentement 3 fois pour confirmer la « désactivation du minuteur ». *Remarque : En cas de désactivation du minuteur, veiller à mettre manuellement hors tension l'appareil avant de l'entreposer ou en cas de non utilisation prolongée, afin d'éviter de décharger la pile.*

Pour réactiver le minuteur de 12 heures, appuyer et maintenir à nouveau les deux boutons fléchés pendant 3 secondes. Le point rouge clignote rapidement quatre fois pour confirmer l'« activation du minuteur » et le compte à rebours commence. L'appui sur n'importe quel bouton pendant l'utilisation du viseur relance le minuteur. Lors du retrait ou du remplacement de la pile, l'appareil se rallume avec les réglages par défaut et la fonction minuteur est donc activée.



## RÉGLAGE DE LA LUMINOSITÉ DU POINT

Pour régler le niveau de luminosité du réticule du point :

Appuyer et relâcher le bouton fléché « Haut » pour augmenter la luminosité. Appuyer et relâcher le bouton fléché « Bas » pour diminuer la luminosité.

## POINTAGE/MISE À ZÉRO DU VISEUR AR OPTICS®



**AVERTISSEMENT ! DANS LA MESURE OÙ CETTE PROCÉDURE IMPLIQUE DE TIRER, ELLE DOIT ÊTRE EFFECTUÉE À UNE DISTANCE AUTORISÉE OU DANS TOUT AUTRE ESPACE SÉCURISÉ. VÉRIFIER QUE LE CANON N'EST PAS OBSTRUÉ. UN CANON OBSTRUÉ PEUT BLESSER L'UTILISATEUR OU BLESSER D'AUTRES PERSONNES À PROXIMITÉ. IL EST RECOMMANDÉ DE PORTER UNE PROTECTION OCULAIRE.**

1. Une fois le viseur installé, placer l'arme sur un support stable. Allumer le viseur et régler la luminosité si nécessaire jusqu'à ce que le point soit facilement visible.

2. Commencez par pointer la cible dans l'alignement du canon (si le type d'arme le permet, le simbleautage traditionnel ou laser et généralement utile) à une distance de cible de 25 à 50 yards (23 à 46 mètres). Regarder à travers le First Strike et tourner doucement les capuchons de réglage de la dérive ou de l'élévation à l'aide de l'outil fourni pour aligner le point rouge avec la cible dans la continuité du canon.

3. Effectuer une série de tirs d'essai pour déterminer le point d'impact de l'arme. Si le point visé (le centre de la cible) n'est pas touché, régler le viseur en tournant la ou les vis de dérive ou d'élévation dans le sens de direction désiré de la balle. Le tableau à droite permet de déterminer le réglage nécessaire pour modifier le point d'impact, en fonction de la distance de tir.

**Tableau des points d'impact :**

Distance	1 révolution complète de la vis de réglage
25 yds	7,5 pouces
50 yds	15 pouces
100 yds	30 pouces
Distance	1 repère de la vis de réglage
25 yds	0,75 pouces
50 yds	1,5 pouces
100 yds	3 pouces

## UTILISATION DANS DES CONDITIONS EXTRÊMES

- Chaleur extrême (humidité ou sécheresse) : Aucune mesure particulière à observer. Si possible, éviter une exposition prolongée.
- Froid extrême : un froid extrême écourte la durée de vie des piles. Il peut également rendre plus difficile l'actionnement du commutateur rotatif (contrôle de la luminosité) sur les fonctions Incinerate/Enrage que lors de températures normales.
- Air salin : Aucune mesure particulière à observer.
- Brise marine, eau, boue et neige : s'assurer que le couvercle de la pile et les deux capuchons de réglage (le cas échéant) sont fixement serrés avant toute exposition de l'instrument à la brise marine, à la boue, à la neige ou avant de le plonger dans l'eau. Serrage manuel uniquement. Laisser les caches des optiques fermés lorsque le viseur n'est pas utilisé. Nettoyer les optiques avec du papier/un chiffon adapté (voir la remarque « Attention » ci-dessous) et essuyer le viseur dès que possible après toute exposition à l'eau, à la brise marine, à la boue ou à la neige.
- Tempêtes de poussière et de sable : laisser les caches des optiques fermés lorsque le viseur n'est pas utilisé.

**ATTENTION : Ne jamais nettoyer les optiques avec les doigts, mais avec un papier/chiffon prévu à cet effet ou un chiffon propre en microfibre afin de ne pas rayer le verre.**

Utiliser une brosse douce ou un dépoussiérant à air comprimé (aérosol) pour retirer les débris (sable, herbe, etc.) avant d'utiliser un papier ou un chiffon doux et propre prévus pour le nettoyage des lentilles. Ne pas exercer de pression excessive lors du nettoyage de l'objectif.

## DÉPANNAGE

Problème : Le point rouge n'apparaît pas

Causes possibles/Solutions :

- Pile déchargée : Remplacer la pile par une nouvelle pile au lithium CR2032.
- Pile mal installée : Retirer et replacer la pile en se référant à l'image du logement de la pile du Guide des pièces.
- Mauvais contact de la pile : Nettoyer les surfaces de contact et replacer la pile.
- Commutateur rotatif défectueux : Contacter le service client Bushnell.

Problème : Mise à zéro impossible

Causes possibles/Solutions :

- La vis de réglage a atteint sa limite maximale : Vérifier que le viseur est installé dans l'alignement du canon.
- Le point d'impact se déplace : Vérifier la stabilité du rail (ou de la poignée) du support et de l'arme.



Les produits fabriqués à partir d'juin 2020 sont couverts par la garantie Bushnell Ironclad. La garantie Ironclad est une garantie à vie totale, qui couvre l'ensemble de la durée de vie du produit. Chacun de nos produits dispose d'une durée de vie définie, comprise entre 1 et 30 ans. La durée de vie de ce produit est consultable à l'adresse ci-dessous ou sur la page spécifique à ce produit sur le site Bushnell.

Nous garantissons que ce produit est exempt de défauts de fabrication et de matériaux défectueux, et qu'il répond à toutes les normes de performances définies pour la durée de vie de ce produit. Si ce produit ne fonctionne pas comme il le devrait en raison d'un défaut couvert par cette garantie, le produit sera remplacé ou réparé gratuitement (à notre discrétion), et vous sera réexpédié sans frais. Cette garantie est entièrement transférable et ne nécessite aucun reçu, carte de garantie ou enregistrement du produit. Cette garantie ne couvre aucun des éléments suivants : composants électroniques ; piles et batteries ; dégâts esthétiques ; dommages causés par un défaut d'entretien du produit ; perte ; vol ; dommages résultant d'une réparation, d'une modification ou d'un démontage non autorisé ; dommages, utilisation mauvaise et/ou abusive intentionnelle ; usure normale du produit ou de ses composants. Si la date de fabrication ou tout autre numéro de série sont retirés du produit, la garantie sera annulée.

Pour consulter la garantie complète ou trouver des informations sur les services de garantie à votre disposition, visitez notre site Web à l'adresse [www.bushnell.com/warranty](http://www.bushnell.com/warranty). Vous pouvez également nous demander une copie de la garantie en nous appelant au 1-800-423-3537, ou en nous écrivant à l'une des adresses suivantes :

Aux U.S.A. Envoyé à :  
Bushnell Outdoor Products  
Attn.: Repairs  
9200 Cody  
Overland Park, Kansas 66214

AU CANADA Envoyé à :  
Bushnell Outdoor Products  
Attn.: Repairs  
140 Great Gulf Drive, Unit B  
Vaughan, Ontario L4K 5W1

Pour les produits achetés à l'extérieur des Etats-Unis ou du Canada, veuillez contacter votre revendeur local pour obtenir les conditions de garantie applicables.

Cette garantie vous confère des droits légaux spécifiques.  
Vous pouvez avoir d'autres droits qui varient d'un pays à l'autre.

©2021 Bushnell Outdoor Products

## NOTE FCC

Cet équipement a été testé et s'est avéré conforme aux limites du dispositif numérique de classe B, en vertu de la partie 15 des règles de la FCC. Ces limites sont conçues afin de fournir une protection raisonnable contre les interférences dans une installation résidentielle. Cet équipement génère, utilise et peut émettre des radiofréquences et, s'il n'est pas installé et utilisé selon les instructions, peut causer des interférences nocives aux communications radio.

Toutefois, il n'y a pas de garantie que les interférences ne se produiront pas dans une installation particulière. Si cet équipement provoque des interférences nocives à la réception radio ou télévisuelle, qui peuvent être déterminées en éteignant puis rallumant l'équipement, nous encourageons l'utilisateur à essayer de corriger l'interférence par l'une ou plusieurs des mesures suivantes :

- Réorienter ou repositionner l'antenne de réception.
- Augmenter la distance séparant l'appareil du récepteur.
- Connecter l'équipement à une prise appartenant à un circuit différent de celui sur lequel le récepteur est connecté.
- Contacter le revendeur ou faire appel à un technicien spécialisé en radio/télévision pour obtenir de l'aide.

Afin de se conformer aux limites du dispositif numérique selon la partie 15, section B, des règles de la FCC, des câbles blindés doivent être utilisés avec cet équipement.

Les caractéristiques et conceptions sont sujettes à des changements sans préavis ni obligation de la part du fabricant



## SÉCURITÉ FDA

Produit laser de classe 1 conforme à la norme CEI 60825-1:2007.

Conforme aux normes 21 CFR 1040.10 et 1040.11 pour les produits laser, sauf les exceptions citées dans le document « Laser Notice No. 50 », daté du 24 juin 2007.

Attention : il n'existe pas de contrôles, ajustements ou procédures destinés à l'utilisateur. L'exécution de procédures autres que celles spécifiées ici peut entraîner l'exposition à une lumière laser invisible.

### Industry Canada Statement :

This device complies withISED's licence-exempt RSSs. Operation is subject to the following two conditions: (1) This device may not cause harmful interference, and (2) this device must accept any interference received, including interference that may cause undesired operation.

Le présent appareil est conforme aux CNR d'ISED applicables aux appareils radio exempts de licence. L'exploitation est autorisée aux deux conditions suivantes: (1) le dispositif ne doit pas produire de brouillage préjudiciable, et (2) ce dispositif doit accepter tout brouillage reçu, y compris un brouillage susceptible de provoquer un fonctionnement indésirable.

### Radiation Exposure Statement / Déclaration d'exposition aux radiations :

This device complies with the Industry Canada portable RF exposure limit set forth for an uncontrolled environment and is safe for the intended operation as described in this manual. Further RF exposure reduction can be achieved if the product can be kept as far as possible from the user's body or if the device is set to a lower output power if such function is available.

Le produit est conforme aux limites d'exposition pour les appareils portables RF pour les Etats-Unis et le Canada établies pour un environnement non contrôlé.

Le produit est sûr pour un fonctionnement tel que décrit dans ce manuel. La réduction aux expositions RF peut être augmentée si l'appareil peut être conservé aussi loin que possible du corps de l'utilisateur ou que le dispositif est réglé sur la puissance de sortie la plus faible si une telle fonction est disponible.

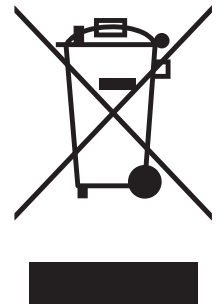
### Traitement des déchets d'équipements électriques et électroniques

*(En vigueur dans l'Union européenne et autres pays européens ayant des systèmes de collecte des déchets séparés)*

Cet équipement contient des composants électriques et/ou électroniques et par conséquent ne doit pas être éliminé en fin de vie avec les autres déchets ménagers. Vous devez au contraire vous débarrasser de ce produit afin qu'il soit recyclé aux points de collecte respectifs fournis par les communautés locales. Pour vous, ceci est sans frais.

Si l'équipement contient des piles amovibles (rechargeables), celles-ci doivent également être retirées de l'équipement et, si nécessaire, être éliminées à leur tour conformément aux règlements en vigueur (voir également les commentaires respectifs dans la notice d'utilisation de ce produit).

De plus amples renseignements à ce sujet sont disponibles auprès de votre mairie, votre compagnie de ramassage d'ordures locale, ou dans le magasin où vous avez acheté cet équipement.



**AVERTISSEMENT : Ce produit utilise une batterie au lithium. Les batteries au lithium peuvent surchauffer et causer des dommages si elles sont maltraitées physiquement. N'utilisez pas de piles endommagées ou présentant des signes d'usure physique.**

Gracias por adquirir su nuevo visor punto rojo de Bushnell® AR Optics® (visor óptico iluminado).

Este manual explica cómo utilizar las características del visor y cómo llevar su mantenimiento para ayudarle a optimizar su experiencia. Lea atentamente las instrucciones antes de utilizar el visor.



**ADVERTENCIA: NO MIRE AL SOL A TRAVÉS DE LA ÓPTICA, YA QUE PUEDE PRODUCIRSE UN DAÑO OCULAR PERMANENTE O INCLUSO CEGUERA.**

### ACERCA DE LOS VISORES TÁCTICOS PUNTO ROJO DE BUSHNELL® AR OPTICS®

All the AR Optics models described in this manual are state-of-the-art sights, engineered especially for competitive shooting. Todos los modelos de AR Optics descritos en este manual son visores de última generación, diseñadas especialmente para el tiro de competición y el tiro al blanco o a objetos con pistolas, rifles, escopetas y la caza a corta distancia.

La retícula iluminada del visor se ha enfocado previamente, por lo que el punto de mira siempre aparece enfocado en el objetivo. En comparación, los visores abiertos le obligan a enfocar el visor trasero, el visor delantero y el objetivo al mismo tiempo, y luego enfocar el objetivo.

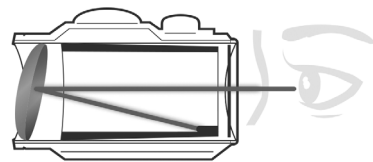
Los visores punto rojo de AR Optics se pueden utilizar con ambos ojos abiertos (el alivio ocular es ilimitado). Tener los dos ojos abiertos aumenta la percepción del tirador sobre el entorno que le rodea. Proporciona una adquisición del objetivo más rápida debido al diseño sin paralaje, ya que el punto sigue el movimiento del ojo del usuario mientras permanece fijo en el objetivo. El diseño de estos visores permite una mayor velocidad y precisión, para así poder centrarse en el objetivo en lugar de en una retícula, y aumentar así la precisión.

- El **FIRST STRIKE 2.0 (AR71XRS)** incluye una montura de raíl accesoria de bajo perfil y un espaciador de gran altura. Estas opciones de montaje hacen que el First Strike 2.0 tenga versatilidad para acoplarse a aplicaciones soldadas tradicionales o de mejilla alta. Cuenta con una duración de pila líder en el sector de más de 50.000 horas (con un nivel de brillo típico de "5"), con un acceso a la pila en el compartimento lateral y un punto más brillante de 3 MOA con 10 ajustes de brillo.

**Nota:** la duración de la pila indicada variará en función de los ajustes de brillo utilizados (*las estimaciones de duración indicadas se basan en un ajuste de brillo típico y medio*), la frescura y la calidad de la pila, la temperatura ambiente y otros factores.

### Acerca del posicionamiento de la lente de punto rojo

Todos los visores punto rojo tienen una lente objetiva esférica en la parte frontal. Sin embargo, a diferencia de un visor convencional con todas las lentes montadas perpendicularmente (en un ángulo de 90 grados) con respecto al eje del tubo, la lente objetiva de un visor punto rojo se coloca desplazada del eje. Cuando mira el visor, parece estar inclinado (derecha). Este ángulo de la lente frontal permite que la luz generada por la fuente de luz LED alimentada por pila que se encuentra en el interior de la unidad se refleje en el visor. La luz reflejada se convierte en el "punto" o referencia de puntería que el tirador ve cuando se enciende el visor de punto rojo. Este diseño de "curvatura" de la luz es lo que permite que los visores de punto rojo actuales sean tan populares y fáciles de usar.



### MONTAJE DEL VISOR AR OPTICS®



**ADVERTENCIA: ANTES DE MONTAR EL VISOR, SUSTITUIR LA PILA, O EXTRAER O REALIZAR EL MANTENIMIENTO DEL VISOR, ASEGÚRESE DE QUE LA ACCIÓN ESTÁ ABIERTA, EL CARGADOR ESTÁN RETIRADOS Y NO HAY NINGÚN CARTUCHO EN LA RECÁMARA. NO REALICE NINGUNA ACCIÓN HASTA QUE EL ARMA HAYA SIDO VACIADA Y HAYA DETERMINADO QUE ES SEGURA.**

Su visor AR Optics incluye un bloque elevador.

La base o bases que utilice con su visor deben estar fabricadas específicamente para su pistola, rifle o escopeta y deben conformar una plataforma de montaje horizontal y vertical uniforme. Por su seguridad, asegúrese de que están correctamente instaladas y bien sujetas según las instrucciones del fabricante. No hay un alivio ocular establecido para su visor AR Optics; por lo tanto, debe dejar al menos 7,5 cm (3") de espacio entre la lente de visión y el ojo cuando se coloque en posición de disparo. Tenga en cuenta que las armas de fuego con culatas de longitud de tirón ("LOP") ajustable pueden afectar o limitar la cantidad de alivio ocular útil.

Coloque la montura en la base de manera que se alinee con las ranuras transversales. Afloje el perno transversal de la montura y encaje la montura en la base hasta que el perno transversal se asiente en la ranura. Cargue la montura hacia delante de forma que el perno transversal encaje en la tuerca delantera y desaparezca la holgura. Mientras sostiene la unidad en su posición, apriete con firmeza el tornillo hasta que la placa abrazadera móvil esté asegurada. Consulte la Guía de piezas para conocer los valores de par de apriete de los tornillos.

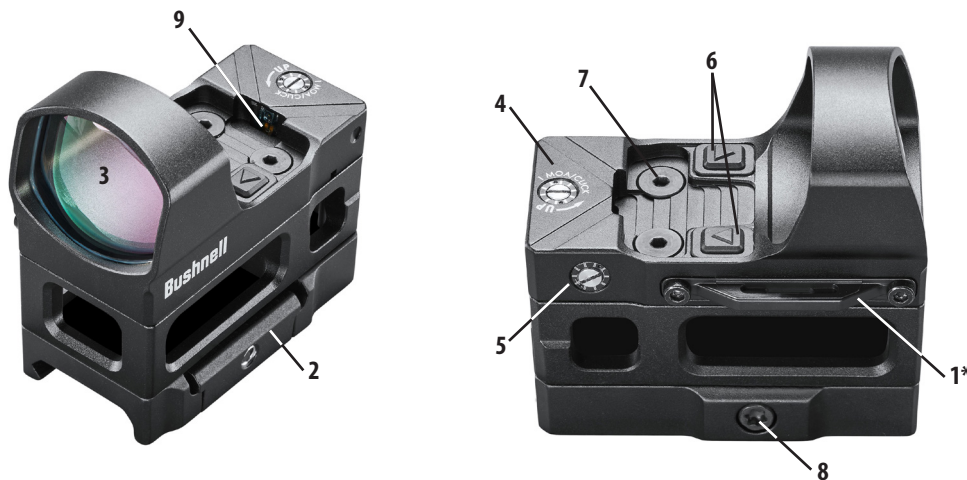
**ADVERTENCIA: SI EL VISOR NO SE MONTA LO BASTANTE ADELANTADO, EL RETROCESO DEL RIFLE PUEDE HACER QUE SU MOVIMIENTO HACIA ATRÁS HIERA AL TIRADOR.**

## DETALLES DE MONTAJE

1. Cualquier base de estilo Weaver o Picatinny es adecuada para montar el First Strike 2.0. Asegúrese de que la base que utiliza esté fabricada específicamente para su pistola, rifle o escopeta. Asegúrese de que la base esté correctamente instalada y sujeta de manera segura de acuerdo con las instrucciones del fabricante para su seguridad.
2. Afloje el perno hexagonal en el soporte de la vista con la herramienta provista. Coloque el soporte en el riel de la base de modo que el perno transversal encaje en una ranura. Apriete el perno hexagonal. **PRECAUCIÓN: No apriete demasiado.**

## GUÍA DE PIEZAS

- |   |  |
|---|--|
| 1. Compartimiento de la pila  | 6. Control de luminosidad                        |
| 2. Montura (Se incluye Hi-Rise pero no está preinstalada en el First Strike.) | 7. Pernos hexagonales pequeños (1,36 - 1,69 Nm)  |
| 3. Lente  | 8. Perno transversal de montaje (1,69 - 2,03 Nm) |
| 4. Ajuste de elevación  | 9. LED   |
| 5. Ajuste de la orientación   |  |



1\* - Detalle del compartimiento de las pilas



*Nota: El diseño del compartimiento de la pila puede diferir de la imagen, pero la orientación de la pila es la misma.*

## ACTIVACIÓN DE LA PILA

Antes de activar el visor por primera vez, deberá abrir el compartimiento de la pila y retirar el adhesivo protector o el disco de plástico. Consulte la guía de piezas para conocer la ubicación del compartimiento de la pila en su modelo.

## SUSTITUCIÓN DE LA PILA

Si la retícula se oscurece o no se ilumina en absoluto, sustituya la pila. Para instalar una pila nueva, desenrosque la tapa redonda del compartimiento de la pila con una moneda. Introduzca una nueva pila de litio CR2032, teniendo en cuenta la posición de los polos positivo y negativo, que varía según el modelo (consulte la Guía de piezas). Vuelva a colocar la tapa de la pila.

*\*(si es necesario, introduzca un pequeño destornillador en la ranura abierta de la bandeja de la pila para hacer un poco de palanca y sacar primero la bandeja)*

**ADVERTENCIA: Cuando vuelva a colocar la tapa de la pila, asegúrese de que la junta tórica está colocada y no está dañada. Si no lo hace, podría producirse una fuga de agua en el compartimiento de la pila.**

Encienda el dispositivo y aumente el brillo si es necesario para comprobar que el punto rojo existe (consulte la siguiente sección).

## ENCENDIDO Y APAGADO DEL VISOR

Para encender el visor, pulse el botón de "subir" o "bajar" el brillo. (6, Guía de piezas). Para apagar el visor, mantenga pulsado el botón de "bajar" brillo durante 3 segundos. De forma predeterminada, un temporizador apagará automáticamente el visor después de 12 horas para prolongar la vida de la batería si no se ha pulsado ningún botón. Vuelva a encenderlo para seguir utilizando el visor si es necesario. Para desactivar el temporizador y activar la alimentación continua, mientras la unidad está encendida, mantenga pulsados los dos botones de flecha durante tres segundos. El punto rojo parpadeará lentamente 3 veces para confirmar "temporizador desactivado". *Nota: Si desactiva el temporizador, asegúrese de apagar manualmente la alimentación antes de guardar el visor o cuando no lo utilice durante largos periodos de tiempo, para evitar que se agote la pila.*

Para reactivar el temporizador de 12 horas, mantenga pulsados ambos botones de flecha durante 3 segundos de nuevo. El punto rojo parpadeará con rapidez cuatro veces para confirmar que el "temporizador está activado", y se iniciará la cuenta atrás. Si pulsa cualquier botón mientras utiliza el visor, el temporizador se reiniciará. Cada vez que se retire o sustituya la pila, la unidad se encenderá en su estado predeterminado, lo que significa que la función del temporizador estará activada.

## AJUSTE DEL BRILLO DEL PUNTO

Para ajustar el nivel de brillo de la retícula de punto:

Pulse y suelte el botón de flecha "arriba" para aumentar el brillo. Pulse y suelte el botón de flecha "abajo" para disminuir el brillo.

## PUESTA A PUNTO/CALIBRACIÓN DEL VISOR AR OPTICS®



**ADVERTENCIA: DADO QUE ESTE PROCEDIMIENTO IMPLICA FUEGO REAL, DEBE REALIZARSE EN UN CAMPO DE TIRO APROBADO O EN OTRA ZONA SEGURA. Compruebe que el calibre no está obstruido. Un calibre obstruido puede causar lesiones a usted y a otras personas cercanas. Se recomienda usar protección para los ojos y los oídos.**

1. Con la mira montada, apoye el arma en un soporte sólido. Encienda el visor y ajuste el brillo según sea necesario hasta que el punto sea fácilmente visible.
2. Comience apuntando a lo largo del cañón (si el tipo de arma de fuego lo permite, la mira tradicional o láser suele ser útil) y apunte a un objetivo a 25 o 50 metros de distancia. Observe a través de su mira First Strike y gire suavemente los ajustes de orientación y elevación con la herramienta suministrada para alinear el punto rojo con el objetivo tal y como se ve a lo largo del cañón.
3. A continuación, deberá realizar una serie de disparos de prueba para determinar el punto de impacto del proyectil de su arma. Si no hace blanco con su punto de mira (el centro del blanco) realice un ajuste girando el/los tornillo(s) de orientación o elevación en la dirección que desee que se desplace el punto de impacto. La tabla de la derecha le ayudará a determinar la cantidad adecuada de ajuste necesario para cambiar el punto de impacto, en función de la distancia a la que esté disparando.

### Gráfica de punto de impacto:

Distancia	1 vuelta completa del tornillo de ajuste
23 m (25 y)	20 cm (7,5")
23 m (50 y)	40 cm (15")
23 m (100 y)	80 cm (30")
Distancia	1 marca de raya del tornillo de ajuste
23 m (25 y)	1,9 cm (0,75")
23 m (50 y)	3,8 cm (1,5")
23 m (100 y)	7,5 cm (3")

## FUNCIONAMIENTO EN CONDICIONES EXTREMAS

- **Calor extremo (húmedo o seco):** No se requieren procedimientos especiales. Evite la exposición prolongada si es posible.
- **Frío extremo:** Las bajas temperaturas extremas pueden acortar la vida de las pilas. También podría provocar que el dial giratorio (control de brillo) de Incinerate/Enrage sea un poco más difícil de girar que a temperaturas normales.
- **Aire salado:** no se requieren procedimientos especiales.
- **Niebla marina, agua, barro y nieve:** Asegúrese de que la tapa de la pila y las dos tapas de ajuste (si las hay) están apretadas antes de exponer el visor a la niebla marina, al barro, a la nieve o antes de sumergirlo en el agua. Apriete solo a mano. Mantenga las tapas de las lentes cerradas cuando el visor no esté en uso. Limpie las lentes con papel/pañó para lentes (véase la nota de precaución más abajo) y seque el visor lo antes posible después de exponerlo al agua, a la niebla marina, al barro o a la nieve.
- **Tormentas de polvo y arena:** Mantenga las tapas de las lentes cerradas cuando no se utilice el visor.

**ADVERTENCIA: Las lentes no deben limpiarse nunca con los dedos, sino con papel/pañó para lentes o con un pañó de microfibra limpio para evitar rayar el cristal.**

Utilice un cepillo suave o "aire comprimido" para eliminar cualquier resto suelto (arena, hierba, etc.) antes de utilizar el papel para lentes o un pañó suave y limpio. No aplique una presión excesiva al limpiar el objetivo.

## SOLUCIÓN DE PROBLEMAS

**Problema: El punto rojo no aparece**

**Posibles causas/soluciones:**

- **Pila descargada:** Sustituya la pila por una nueva pila de litio CR2032.
- **Pila instalada incorrectamente:** Retire y vuelva a instalar la pila, consultando la imagen del compartimento de la pila de la guía de piezas.
- **La pila no hace buen contacto:** Limpie las superficies de contacto y vuelva a instalar la pila.
- **Interrupción giratorio defectuoso:** Póngase en contacto con el servicio de atención al cliente de Bushnell.

**Problema: Imposible calibrar**

**Posibles causas/soluciones:**

- **El tornillo de ajuste está al límite:** Compruebe la alineación de la montura con el cañón.
- **El punto de impacto se mueve:** Compruebe la estabilidad de la montura y del raíl del arma (o de la empuñadura).



Los productos fabricados a partir de junio de 2020 están cubiertos por la Garantía Ironclad de Bushnell. La Garantía Ironclad es una garantía de por vida que cubre la vida útil de este Producto. Cada producto tiene una vida definida; las vidas pueden variar de 1 a 30 años. La vida útil de este producto se puede encontrar en el sitio web que se detalla a continuación y/o en la página web de Bushnell específica para este Producto.

Garantizamos que este producto está libre de defectos en materiales y mano de obra y cumplirá con todos los estándares de rendimiento representados durante la vida útil de este producto. Si este Producto no funciona correctamente debido a un defecto cubierto, nosotros, a nuestra discreción, lo repararemos o lo reemplazaremos y se lo enviaremos sin cargo. Esta garantía es totalmente transferible y no requiere recibo, tarjeta de garantía ni registro de productos. Esta garantía no cubre lo siguiente: componentes electrónicos; baterías; daño estético; daño causado por no mantener adecuadamente el producto; pérdida; robo; daños como resultado de una reparación, modificación o desensamblaje no autorizado; daño intencional, mal uso o abuso; y el desgaste normal. Esta Garantía será nula si el sello de fecha u otros códigos de serialización han sido eliminados del Producto.

Para ver la garantía completa y encontrar detalles sobre cómo solicitar el servicio bajo la garantía, visite nuestro sitio web en [www.bushnell.com/warranty](http://www.bushnell.com/warranty). Alternativamente, puede solicitar una copia de la garantía llamándonos al 1-800-423-3537 o escribiéndonos a una de las siguientes direcciones:

EN ESTADOS UNIDOS enviar a  
Bushnell Outdoor Products  
Attn.: Repairs  
9200 Cody  
Overland Park, Kansas 66214

EN CANADÁ enviar a:  
Bushnell Outdoor Products  
Attn.: Repairs  
140 Great Gulf Drive, Unit B  
Vaughan, Ontario L4K 5W1

Para los productos comprados fuera de Estados Unidos o Canadá, póngase en contacto con su distribuidor local para obtener información sobre la garantía aplicable.

Esta garantía le otorga derechos legales específicos.  
Es posible que tenga otros derechos que varíen de un país a otro.

© 2020 Bushnell Outdoor Products

## NOTA DE LA FCC

Este equipo ha sido probado y se ha demostrado su cumplimiento con los límites para un dispositivo digital de clase B, de acuerdo con la parte 15 del reglamento de la FCC. Estos límites están diseñados para proporcionar una protección razonable frente a interferencias nocivas en una instalación residencial. Este equipo genera, usa y puede radiar energía de radiofrecuencia. Si no se instala y utiliza de acuerdo con las instrucciones, puede causar interferencias indeseables en las comunicaciones por radio.

Sin embargo, no existe garantía de que no se produzcan interferencias en una instalación en particular. Si este equipo llega a causar interferencias indeseables en la recepción de radio o televisión, lo cual se puede determinar apagando y encendiendo el equipo, se recomienda al usuario que trate de corregir la interferencia tomando una o más de las siguientes medidas:

- Reorientar la antena receptora o cambiar su ubicación.
- Aumentar la separación entre el equipo y el receptor.
- Conectar el equipo a una toma de corriente o a un circuito distinto al que está conectado el receptor.
- Consultar al distribuidor o a un técnico de radio/televisión experimentado en busca de ayuda.

El cable de interfaz blindado debe usarse con el equipo para cumplir con las limitaciones de un dispositivo digital de acuerdo con la sección B de la parte 15 del reglamento de la FCC.

Las especificaciones y los diseños están sujetos a cambios sin previo aviso ni obligación alguna del fabricante



## SEGURIDAD CONFORME A FDA

Producto láser de clase 1 de acuerdo con IEC 60825-1:2007.

Cumple con la norma 21 CFR 1040.10 y 1040.11 para productos láser, excepto lo indicado en conformidad con la Advertencia sobre láser n.º 50, de 24 de junio de 2007.

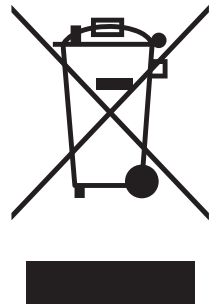
Precaución: no hay ajustes, procedimientos ni controles de usuario. La realización de procedimientos que no sean los especificados en este documento puede dar como resultado el acceso a luz láser invisible.

### **Eliminación de equipos eléctricos y electrónicos** *(Aplicable en la UE y otros países europeos con sistemas de recogida separada)*

Este equipo contiene elementos eléctricos o electrónicos y por tanto no debe eliminarse con los residuos domésticos normales. En cambio, debe eliminarse en los correspondientes puntos de recogida para reciclaje previstos por las comunidades. Para usted resultará gratuito.

Si el equipo incorpora baterías intercambiables (recargables), estas también deben retirarse antes y, si es necesario, eliminarlas de acuerdo con las regulaciones correspondientes (consulte también los comentarios al efecto de las instrucciones de estas unidades).

La administración de su comunidad, su empresa local de recogida o la tienda en la que adquirió este equipo pueden proporcionarle información adicional sobre este tema.



 **ADVERTENCIA: este producto usa una batería de litio. Las baterías de litio pueden sobrecalentarse y causar daños si se abusa físicamente. No use baterías que estén dañadas o muestren signos de desgaste físico.**



Vielen Dank für den Kauf Ihres neuen Bushnell® AR Optics® Rotpunktvisiers (beleuchtetes optisches Visier). Diese Bedienungsanleitung hilft Ihnen dabei, die Funktionen des Visiers für Ihren Einsatzbereich zu optimieren und Sie erhalten Hinweise zur richtigen Pflege. Lesen Sie die Anweisungen sorgfältig durch, bevor Sie Ihr Visier verwenden.



**WARNUNG!: NIEMALS DIREKT MIT DEM GERÄT IN DIE SONNE SCHAUEN, DA DIES ZU DAUERHAFTEN AUGENSCHÄDEN ODER BLINDHEIT FÜHREN KANN.**

### ÜBER DIE TAKTISCHEN ROTPUNKTVISIERE VON BUSHNELL® AR OPTICS®

Bei allen in dieser Anleitung beschriebenen AR Optics-Modellen handelt es sich um modernste Visiergeräte, die speziell für das Wettkampf- und Zielschießen mit Handfeuerwaffen, Gewehren, Schrotflinten sowie das Jagen auf kürzere Distanzen entwickelt wurden.

Das beleuchtete Absehen Ihres Visiers ist vorfokussiert, sodass der Zielpunkt auf Ihrem Ziel immer scharf erscheint. Im Vergleich dazu müssen Sie sich bei einer offenen Visierung gleichzeitig auf Kimme und Korn sowie auf das Ziel konzentrieren und dieses dann scharf stellen.

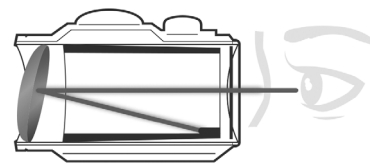
Rotpunktvisiere von AR Optics können mit offenen Augen verwendet werden (der Augenabstand ist unbegrenzt). Wenn beide Augen geöffnet sind, können Schützen ihre Umgebung besser wahrnehmen. Zusätzlich ist durch die parallaxenfreie Konstruktion eine schnellere Zielerfassung möglich, da der Punkt den Augenbewegungen des Benutzers folgt und gleichzeitig auf das Ziel fixiert bleibt. Diese Visiere sind auf hohe Geschwindigkeit und Genauigkeit ausgelegt und sorgen für mehr Treffsicherheit, da Sie sich auf das Ziel anstelle des Absehens konzentrieren können.

- Im Lieferumfang des **FIRST STRIKE 2.0 (AR71XRS)** ist eine flache Schienenhalterung für Zubehör und ein High-Rise zur Höhenverstellung enthalten. Durch diese Befestigungsmöglichkeiten ist das First Strike 2.0 vielseitig einsetzbar und kann sowohl auf traditionelle Weise wie auch mit hohem Wangenkontakt verwendet werden. Es verfügt über eine branchenführende Batterielaufzeit von mehr als 50.000 Stunden (bei einer typischen Helligkeitsstufe von „5“), ein von der Seite zugängliches Batteriefach und einen 3 MOA-Punkt mit 10 Helligkeitseinstellungen.

**Hinweis:** die angegebene Batterielaufzeit ist von den verwendeten Helligkeitseinstellungen abhängig (*die angegebene Laufzeit basiert auf einer typischen, mittleren Helligkeitseinstellung* sowie dem Alter und der Qualität der Batterie, der Umgebungstemperatur und anderen Faktoren).

### Positionierung der Linse bei Rotpunktvisieren

An der Vorderseite aller Rotpunktvisiere befindet sich eine kugelförmige Linse. Im Gegensatz zu einem herkömmlichen Gewehrvisier, bei dem alle Linsen senkrecht (im 90-Grad-Winkel) zur Achse des Rohrs montiert sind, ist die Objektivlinse eines Rotpunktvisiers schräg positioniert. Beim Blick auf das Visier scheint es geneigt zu sein (rechts). Durch den Winkel dieser vorderen Linse wird das durch die Batterie erzeugte LED-Licht in das Innere des Geräts und zurück in das Visier geleitet. Das reflektierte Licht wird zum Zielpunkt oder zur Zielhilfe, die der Schütze sieht, wenn das Rotpunktvisier eingeschaltet ist. Diese bauartbedingte „Krümmung“ des Lichts ist der Grund, weshalb heutige Rotpunktvisiere so beliebt und einfach zu bedienen sind.



### MONTAGE IHRES AR OPTICS®-VISIERS



**WARNUNG!: VERGEWISSERN SIE SICH VOR DER MONTAGE ODER WARTUNG IHRES VISIERS UND BEIM WECHSELN DER BATTERIE, DASS DER VERSCHLUSS GEÖFFNET IST, DER CLIP ODER DAS MAGAZIN ENTFERNT WURDE UND SICH KEINE PATRONE IN DER LADEKAMMER BEFINDET. VERWENDEN SIE IHRE WAFFE NICHT, BEVOR SIE FÜR SICHER BEFUNDEN UND ZUR VERWENDUNG FREIGEgeben WURDE.**

Im Lieferumfang Ihres AR Optics-Visiers ist ein High-Rise-Block zur Höhenverstellung enthalten.

Zur Befestigung Ihres Visiers verwendete Sockel sollten speziell für Ihre Pistole, Ihr Gewehr oder Ihre Schrotflinte angefertigt sein und eine gleichmäßige horizontale und vertikale Montageplattform bilden. Achten Sie zu Ihrer Sicherheit darauf, dass sie richtig montiert und entsprechend den Herstellerangaben befestigt sind. Da bei Ihrem AR Optics-Visier kein Augenabstand einzustellen ist, sollten Sie mindestens 8 cm Abstand zwischen dem Okular und Ihren Augen einhalten, wenn Sie sich in Schießposition befinden. Beachten Sie, dass Schusswaffen mit justierbaren Length-of-Pull-Schulterstützen (LOP) den möglichen Augenabstand beeinflussen oder einschränken können.

Setzen Sie die Halterung so auf den Sockel, dass sie mit den querlaufenden Rillen übereinstimmt. Lockern Sie den Querbolzen der Halterung und befestigen Sie sie im Sockel, bis der Querbolzen fest in der Nut sitzen. Belasten Sie die Halterung vorne so, dass der Querbolzen in der vorderen Halterung greift und der Abstand dazwischen geschlossen wird. Halten Sie das Gerät fest und ziehen Sie die Schraube an, bis die bewegliche Klemmplatte fest ist. Werte für die Anzugsdrehmomente finden Sie in der Beschreibung der Bauteile.



**WARNUNG: WENN DAS VISIER NICHT WEIT GENUG VORNE MONTIERT IST, KANN ES DURCH DIE RÜCKWÄRTSBEWEGUNG BEIM RÜCKSTOSS ZU EINER VERLETZUNG DES SCHÜTZEN KOMMEN.**

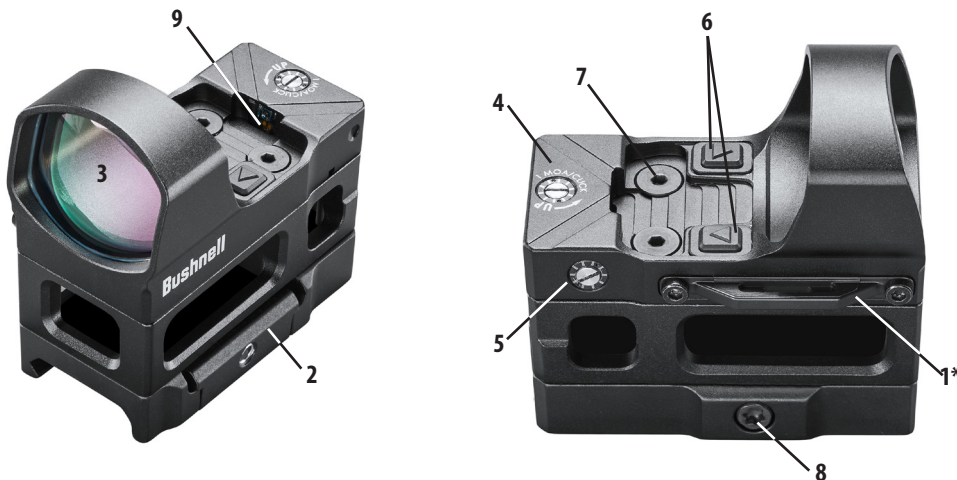
## MONTAGEHINWEISE

1. Alle Sockel vom Typ Picatinny oder Weaver sind zur Montage des First Strike 2.0 Mikroreflexvisiers geeignet. Vergewissern Sie sich, dass der von Ihnen verwendete Sockel speziell für Ihre Pistole, Ihr Gewehr oder Ihre Schrotflinte hergestellt wurde. Achten Sie zu Ihrer Sicherheit darauf, dass der Sockel richtig montiert und entsprechend der Herstellerangaben befestigt wurde.
2. Lösen Sie die Sechskantschraube an der Visierhalterung mit dem mitgelieferten Werkzeug. Positionieren Sie die Halterung so auf Ihrer Grundschiene, dass die Querschraube in einen Schlitz einrastet. Ziehen Sie die Sechskantschraube fest.

**ACHTUNG: Nicht zu fest anziehen.**

## BESCHREIBUNG DER BAUTEILE

1. Batteriefach
2. Montage (High-Rise zur Höhenverstellung ist enthalten, aber nicht auf dem First Strike vormontiert)
3. Objektiv
4. Höhenverstellung
5. Seitenverstellung
6. Helligkeitsregelung
7. Kleine Sechskantschrauben (1,4-1,7 N·m / 12-15 lbf·in)
8. Querbolzen zur Montage (1,7-2 N·m / 15-18 lbf·in)
9. LED



1\* - Detailansicht des Batteriefachs



Positive Seite (+) nach oben,  
negative Seite (-) nach unten.

*Hinweis: Die Bauart Ihres Batteriefachs kann von der Abbildung abweichen, die Ausrichtung der Batterie ist aber identisch.*

## AKTIVIEREN DER BATTERIE

Bevor Sie Ihr Visier zum ersten Mal einschalten, müssen Sie das Batteriefach öffnen und den Schutz aufkleber oder die Plasticscheibe auf der Batterie entfernen. Die Position des Batteriefachs Ihres Modells finden Sie in der Beschreibung der Bauteile.

## BATTERIEWECHSEL

Wenn das Absehen schwächer oder gar nicht leuchtet, tauschen Sie die Batterie aus. Um eine neue Batterie einzulegen, schrauben Sie die runde Batteriefachabdeckung mit einer Münze ab. Legen Sie eine neue CR2032-Lithiumbatterie ein und achten Sie darauf, welche Seite positiv und welche negativ ist. Dies kann je nach Modell unterschiedlich sein (siehe Beschreibung der Bauteile). Setzen Sie die Abdeckung wieder auf das Batteriefach.

*\*(bei Bedarf können Sie einen kleinen Schraubenzieher in den offenen Schlitz des Batteriefachs schieben, um es vorsichtig aufzuhebeln)*

**VORSICHT: Achten Sie darauf, dass der O-Ring vorhanden und nicht beschädigt ist, wenn Sie die Abdeckung wieder einsetzen. Andernfalls kann es passieren, dass Wasser in das Batteriefach eindringt.**

Vergewissern Sie sich, dass der Rote Punkt sichtbar ist, indem Sie das Gerät einschalten und die Helligkeit bei Bedarf erhöhen (siehe nächster Abschnitt).

## EIN- UND AUSSCHALTEN

Um Ihr Visier einzuschalten, drücken Sie entweder die Taste zum Erhöhen („Aufwärts“) oder Verringern („Abwärts“) der Helligkeit (6, Beschreibung der Bauteile). Um das Visier auszuschalten, halten Sie Taste zum Verringern der Helligkeit („Abwärts“) 3 Sekunden lang gedrückt. Standardmäßig schaltet sich das Gerät durch einen Timer automatisch aus, wenn 12 Stunden lang keine Taste gedrückt wird, um die Batterie zu schonen. Schalten Sie es gegebenenfalls wieder ein, wenn sie es weiter verwenden möchten. Um diesen Timer auszuschalten und den Dauerbetrieb zu ermöglichen, halten Sie beide Pfeiltasten drei Sekunden lang gedrückt, während das Gerät eingeschaltet ist. Der rote Punkt blinkt dann 3 Mal langsam, um zu bestätigen, dass der Timer ausgeschaltet ist („timer off“). Hinweis: Wenn Sie den Timer deaktivieren, denken Sie daran, das Visier manuell auszuschalten, bevor Sie es zu Seite legen oder über einen längeren Zeitraum nicht verwenden. So verhindern Sie, dass die Batterie entladen wird.

Um den 12-Stunden-Timer wieder zu aktivieren, halten Sie beide Pfeiltasten 3 Sekunden lang gedrückt. Der rote Punkt blinkt dann 4 Mal schnell, um zu bestätigen, dass der Timer eingeschaltet ist („timer on“) und der Countdown beginnt. Wenn Sie während der Verwendung des Visiers eine beliebige Taste drücken, wird der Timer neu gestartet. Jedes Mal, wenn die Batterie ausgetauscht oder entfernt wird, schaltet sich das Gerät in der Standardeinstellung ein, d.h. die Timerfunktion ist aktiviert.

### EINSTELLEN DER PUNKTHELLIGKEIT

Um die Helligkeit des Punktabsehens einzustellen:

Drücken Sie einmal kurz die „Aufwärts“-Pfeiltaste, um die Helligkeit zu erhöhen. Drücken Sie einmal kurz die „Abwärts“-Pfeiltaste, um die Helligkeit zu verringern.

### EINSCHIEßEN/NULSTELLEN IHRES AR OPTICS®-VISIERS



**WARNUNG: DA BEI DIESEM VORGANG MIT SCHARFER MUNITION GESCHOSSEN WIRD, SOLLTE ER AN EINEM ZUGELASSENEN SCHIESSPLATZ ODER EINEM ANDEREN SICHEREN ORT AUSGEFÜHRT WERDEN. WAFFENLAUF AUF VERSTOPFUNGEN PRÜFEN. EIN VERSTOPFTER LAUF KANN ZU VERLETZUNGEN BEI IHNEN ODER ANDEREN IN IHRER NÄHE FÜHREN. ES WERDEN AUGEN- UND GEHÖRSCHUTZ EMPFOHLEN.**

- Legen Sie die Waffe mit montiertem Visier auf eine feste Unterlage. Schalten Sie das Visier ein und passen Sie die Helligkeit bei Bedarf an, bis der Punkt gut zu sehen ist.
- Zielen Sie mit dem Lauf (wenn der Waffentyp dies zulässt, kann es hilfreich sein, die traditionelle Methode oder eine Laser-Einschießhilfe zu verwenden) und visieren Sie ein Ziel in 25 bis 50 Metern Entfernung an. Schauen Sie durch Ihr First Strike-Visier und drehen Sie die Höhen- und Seitenverstellungen mit dem beiliegenden Werkzeug vorsichtig, bis der rote Punkt vom Lauf aus gesehen auf dem Ziel liegt.
- Geben Sie dann ein paar Probeschüsse ab, um den Aufschlagpunkt des Geschosses Ihrer Waffe zu bestimmen. Wenn Sie Ihren Zielpunkt (die Mitte des Ziels) nicht treffen, können Sie den Aufschlagpunkt durch Drehen der Schrauben an den Höhen- und Seitenverstellungen in die gewünschte Richtung verschieben. Die Tabelle rechts hilft Ihnen dabei, zu ermitteln, wie weit Sie den Aufschlagpunkt verschieben müssen, um das Visier richtig auf Ihre Schussdistanz einzustellen.

#### Aufschlagpunkt-Tabelle:

Entfernung	1 ganze Umdrehung der Verstellschraube
25 Yards (23 m)	19 cm (7,5 in)
50 Yards (46 m)	38 cm (15 in)
100 Yards (91 m)	76 cm (30 in)
Entfernung	1 Rautenmarkierung auf der Verstellschraube
25 Yards (23 m)	0.75 Zoll (1,9 cm)
50 Yards (46 m)	1,5 Zoll (3,8 cm)
100 Yards (91 m)	3 Zoll (7,6 cm)

### EINSATZ UNTER EXTREMEN BEDINGUNGEN

- **Extreme Hitze (feucht oder trocken):** Keine besonderen Vorkehrungen erforderlich. Vermeiden Sie es nach Möglichkeit, das Gerät den Bedingungen über längere Zeit auszusetzen.
- **Extreme Kälte:** extrem niedrige Temperaturen können die Laufzeit der Batterie verkürzen und dazu führen, dass sich der Drehknopf (Helligkeitsregelung) am Incinerate/Enrage schwerer drehen lässt, als es bei normalen Temperaturen der Fall wäre.
- **Salzige Luft:** Keine besonderen Vorkehrungen erforderlich.
- **Gischt, Wasser, Schlamm und Schnee:** Achten Sie darauf, dass die Batterieabdeckung und die beiden Verstellkappen (sofern vorhanden) sicher befestigt sind, bevor Sie das Visier Gischt, Schlamm oder Schnee aussetzen oder es in Wasser eintauchen. Nur handfest anziehen. Verwenden Sie die Objektivabdeckung, wenn das Visier längere Zeit nicht benutzt wird. Reinigen Sie die Linsen mit einem Linsenpapier/-tuch (siehe Hinweis unten) und wischen Sie das Visier so schnell wie möglich trocken, nachdem es Wasser, Gischt, Schlamm oder Schnee ausgesetzt war.
- **Staub- und Sandstürme:** verwenden Sie die Objektivabdeckungen, wenn das Visier längere Zeit nicht benutzt wird.

**VORSICHT: Reinigen Sie die Linsen niemals mit den Fingern, sondern mit einem Linsenpapier/-tuch oder einem sauberen Mikrofasertuch, um Kratzer auf dem Glas zu vermeiden.**

Mit einem weichen Pinsel oder Druckluft können Sie lose Ablagerungen (Sand, Gras etc.) entfernen, bevor Sie Linsenpapier oder ein weiches, sauberes Tuch verwenden. Beim Reinigen des Objektivs keinen übermäßigen Druck ausüben.

### FEHLERSUCHE

**Problem: Roter Punkt wird nicht angezeigt**

**Mögliche Ursachen/Lösungen:**

- **Batterie leer:** Ersetzen Sie die Batterie durch eine neue CR2032-Lithiumzelle.
- **Batterie falsch eingesetzt:** Entfernen Sie die Batterie und setzen Sie sie entsprechend der Abbildung des Batteriefachs in der Beschreibung der Bauteile wieder ein.
- **Schlechter Batteriekontakt:** Reinigen Sie die Kontaktflächen und setzen Sie die Batterie wieder ein.
- **Drehschalter defekt:** Wenden Sie sich an den Bushnell-Kundendienst.

**Problem: Einschießen/Nullstellen nicht möglich**

**Mögliche Ursachen/Lösungen:**

- **Die Verstellschraube befindet sich am Limit:** Überprüfen Sie Ausrichtung der Montage am Lauf.
- **Der Aufschlagpunkt bewegt sich:** Überprüfen Sie die Stabilität der Halterung und der Waffenschiene (oder des Griffs).



Produkte, die ab June 2020 hergestellt wurden, fallen unter die Bushnell Ironclad-Garantie. Die Ironclad-Garantie ist eine lebenslange Garantie, die sich über die Lebensdauer dieses Produkts erstreckt. Jedes Produkt hat eine definierte Lebensdauer; die Lebensdauer kann von 1 bis 30 Jahren reichen. Die Lebensdauer dieses Produkts finden Sie auf der unten angegebenen Website und/oder auf der für dieses Produkt spezifischen Bushnell-Webseite.

Wir gewährleisten, dass dieses Produkt frei von Material- und Verarbeitungsfehlern ist und alle für die Lebensdauer dieses Produkts geltenden Leistungsstandards erfüllt. Wenn dieses Produkt aufgrund eines von der Garantie abgedeckten Defektes nicht ordnungsgemäß funktioniert, reparieren oder ersetzen wir es nach unserem Dafürhalten und senden es kostenlos an Sie zurück. Diese Garantie ist vollständig übertragbar und erfordert keine Quittung, Garantiekarte oder Produktregistrierung. Diese Garantie gilt nicht für Folgendes: elektronische Komponenten, Batterien, kosmetischer Schäden, durch nicht ordnungsgemäße Wartung entstandene Schäden, Verlust, Diebstahl, Schäden durch unbefugte Reparatur, Änderung oder Demontage, vorsätzliche Beschädigung, missbräuchliche oder unsachgemäße Verwendung und gewöhnlicher Verschleiß. Diese Garantie erlischt, wenn der Datumstempel oder andere Seriennummern vom Produkt entfernt wurden.

Um die vollständige Garantie einzusehen und Informationen darüber zu erhalten, wie Sie einen Service im Rahmen der Garantie anfordern können, besuchen Sie unsere Website unter [www.bushnell.com/warranty](http://www.bushnell.com/warranty). Alternativ können Sie eine Kopie der Garantie anfordern, indem Sie uns unter +1 80 04 23 35 37 anrufen oder uns unter einer der folgenden Adressen schreiben:

Adresse für die USA:

Bushnell Outdoor Products  
Attn.: Repairs  
9200 Cody  
Overland Park, Kansas 66214

Adresse für KANADA:

Bushnell Outdoor Products  
Attn.: Repairs  
140 Great Gulf Drive, Unit B  
Vaughan, Ontario L4K 5W1

Wenden Sie sich bei Produkten, die außerhalb der USA oder Kanada erworben wurden, bitte an Ihren Händler vor Ort, um die jeweils gültigen Garantieinformationen zu erfragen.

Diese Garantie gewährt Ihnen bestimmte gesetzlich verankerte Rechte.  
Unter Umständen haben Sie noch weitere Rechte, die von Land zu Land variieren.

© 2021 Bushnell Outdoor Products

## FCC-HINWEIS

Dieses Gerät wurde getestet und entspricht den Grenzwerten für ein digitales Gerät der Klasse B, entsprechend dem Teil 15 der FCC-Regeln. Diese Grenzwerte bieten einen ausreichenden Schutz gegen Interferenzen bei häuslichen Installationen. Dieses Gerät erzeugt, gebraucht und kann Hochfrequenz-Energie ausstrahlen und kann, falls nicht nach der Anleitung installiert und benutzt, zur Beeinträchtigung von Funkverkehr führen.

Es wird jedoch keinerlei Garantie dafür übernommen, dass die Störungen bei einer bestimmten Installation nicht auftreten. Sollte dieses Gerät die Störungen im Rundfunk- und Fernsehempfang verursachen, was durch Aus- und Einschalten des Gerätes festgestellt werden kann, empfehlen wir, die Störung durch eine oder mehrere der folgenden Maßnahmen zu beheben:

- Richten Sie die Empfangsantenne neu aus oder ändern Sie ihren Standort.
- Vergrößern Sie die Entfernung zwischen Gerät und Funkempfänger.
- Schließen Sie das Gerät und den Funkempfänger an Steckdosen von getrennten Stromkreisen an.
- Wenden Sie sich an Ihre Vertriebsstelle oder an einen erfahrenen Radio-/Fernsehtechniker, wenn Sie weitere Unterstützung benötigen.

Es müssen abgeschirmte Schnittstellenkabel für das Gerät verwendet werden, um den Grenzwerten für Digitalgeräte gemäß Unterabschnitt B von Teil 15 der FCC-Bestimmungen zu entsprechen.

Spezifikationen und Designs können ohne vorherige Ankündigung oder Verpflichtungen auf Seiten des Herstellers geändert werden.



## FDA-SICHERHEIT

Laserprodukt der Klasse 1 gemäß IEC 60825-1:2007.

Entspricht 21 CFR 1040.10 und 1040.11 für Laser-Produkte, außer bei Abweichungen gemäß „Laser Notice No. 50“ vom 24. Juni 2007.

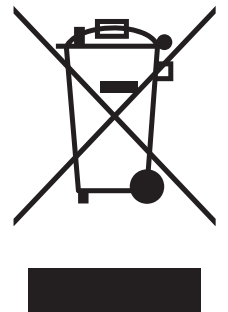
Achtung: Es gibt keine Benutzersteuerung, -anpassungen oder -verfahren. Die Durchführung anderer als der hier angegebenen Verfahren kann zu einem Zugriff auf unsichtbares Laserlicht führen.

### Entsorgung von elektrischen und elektronischen Geräten (Gültig in der EU und anderen europäischen Ländern mit getrennten Sammelsystemen)

Dieses Gerät enthält elektrische und/oder elektronische Bauteile und darf deshalb nicht im normalen Haushaltsmüll entsorgt werden. Stattdessen sollte es an den entsprechenden Sammelstellen für Recycling der jeweiligen Gemeinden abgegeben werden. Ihnen entstehen hierdurch keine Kosten.

Wenn die Ausrüstung austauschbare (wiederaufladbare) Batterien enthält, müssen diese zuvor auch herausnehmen und, falls nötig, entsprechend der geltenden Vorschriften entsorgt werden (siehe auch die jeweiligen Anmerkungen in der Anleitung dieses Produkts).

Weitere Informationen zu diesem Thema sind in Ihrer Gemeinde-/Stadtverwaltung, Ihrem regionalen Abfallentsorgungsunternehmen oder in dem Geschäft, in dem Sie Ihr Equipment gekauft haben, erhältlich.



 **WARNUNG: Dieses Produkt verwendet eine Lithium-basierte Batterie. Lithiumbatterien können überhitzen und Schäden verursachen, wenn sie physisch missbraucht werden. Verwenden Sie keine Batterien, die beschädigt sind oder Anzeichen von physischem Verschleiß aufweisen.**

Grazie per aver scelto il nuovo Red Dot Bushnell® AR Optics® (mirino a punto rosso luminoso).

Nel presente manuale viene illustrato come utilizzare le funzioni del mirino per ottimizzare l'esperienza di visione e come prendersi cura di questo strumento. Leggere attentamente le istruzioni prima di utilizzare il mirino.



**AVVERTIMENTO: NON GUARDARE IL SOLE ATTRAVERSO L'OTTICA, POICHÉ POTREBBE CAUSARE DANNI PERMANENTI AGLI OCCHI O PERSINO CECITÀ.**

### INFORMAZIONI SUI MIRINI TATTICI RED DOT BUSHNELL® AR OPTICS®

Tutti i modelli AR Optics descritti in questo manuale sono mirini all'avanguardia, progettati appositamente per il tiro competitivo e il tiro al bersaglio o il plinking con pistole, carabine e fucili, e anche per la caccia su brevi distanze.

Il reticolo illuminato del mirino è stato pre-focalizzato, in modo che il punto di mira sia sempre a fuoco sul bersaglio. Al contrario, i mirini aperti costringono a mettere a fuoco contemporaneamente tacca di mira, mirino e bersaglio, per poter mettere a fuoco il bersaglio.

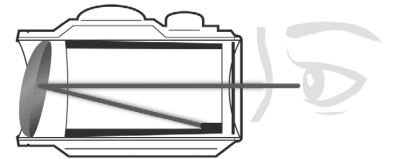
I mirini Red Dot AR Optics possono essere utilizzati con entrambi gli occhi aperti (l'estrazione pupillare è illimitata). Con entrambi gli occhi aperti, aumenta la consapevolezza del tiratore dell'ambiente circostante. Consente un'acquisizione più rapida del bersaglio grazie al design privo di parallasse, poiché il punto segue il movimento dell'occhio dell'utente rimanendo fisso sul bersaglio. Questi mirini sono progettati per una maggiore velocità e accuratezza: consentono di mettere a fuoco il bersaglio piuttosto che il reticolo, aumentando così la precisione.

- Il **FIRST STRIKE 2.0 (AR71XRS)** include un attacco per slitta low-profile e un distanziatore high-rise. Queste opzioni di montaggio rendono il First Strike 2.0 versatile per il fissaggio a guanciali tradizionali o alti. Offre una durata della batteria leader del settore di oltre 50.000 ore (a un livello di luminosità tipico di "5"), con un accesso alla batteria dal vano laterale e un punto di 3 MOA più luminoso con 10 impostazioni di luminosità.

**Nota:** la durata della batteria indicata varia in base alle impostazioni di luminosità utilizzate (le stime sulla durata dichiarate si basano sull'impostazione tipica di luminosità media), consumo equalità della batteria, temperatura ambiente e altri fattori.

### Posizionamento della lente del red dot

Tutti i mirini red dot hanno una lente di fronte all'unità che è di forma sferica. Tuttavia, diversamente dai cannocchiali da puntamento convenzionali con tutte le lenti montate perpendicolarmente (ad un angolo di 90 gradi) all'asse del tubo, la lente dell'obiettivo in un mirino a punto rosso è posizionata fuori asse e appare inclinata guardando il mirino (destra). Questa angolatura della lente frontale consente alla luce generata dalla sorgente di luce LED alimentata a batteria all'interno dell'unità di venire riflessa dentro il mirino. La luce riflessa diventa il "punto" o il riferimento cui mirare che il tiratore vede quando il mirino a punto rosso è acceso. Questa "curvatura" progettata della luce è ciò che rende i mirini a punto rosso di oggi così diffusi e facili da usare.



### MONTAGGIO DEL MIRINO AR OPTICS®



**AVVERTENZA: PRIMA DI MONTARE IL MIRINO, SOSTITUIRE O RIMUOVERE LA BATTERIA, O EFFETTUARE LA MANUTENZIONE DEL MIRINO, ASSICURARSI CHE L'AZIONE SIA APERTA, IL FERMO O IL CARICATORE RIMOSSO E CHE NON SIA PRESENTE UN COLPO NELLA CAMERA. NON TENTARE DI ESEGUIRE ALCUNA OPERAZIONE FINCHÉ L'ARMA NON È SCARICA E NON È RITENUTA SICURA.**

Il mirino AR Optics include un blocco rialzato.

La base o le basi utilizzate con il mirino dovrebbero essere prodotte specificamente per la pistola, la carabina o il fucile utilizzati e dovrebbero creare una piattaforma di montaggio orizzontale e verticale uniforme. Per motivi di sicurezza, assicurarsi che siano installate correttamente e fissate in sicurezza in base alle istruzioni del produttore. Il mirino AR Optics non ha un'estrazione pupillare fissa, pertanto, si dovrebbe lasciare uno spazio di almeno 7-8 centimetri tra la lente e l'occhio quando ci si trova nella posizione di tiro. Le armi da fuoco con calcioli a lunghezza di trazione regolabile ("LOP") possono influenzare o limitare l'estrazione pupillare.

Posizionare l'attacco sulla base in modo che si allinei con le scanalature trasversali. Allentare il perno cross-bolt dell'attacco e regolare l'attacco nella base finché il perno non si inserisce nella scanalatura. Caricare in avanti l'attacco in modo da agganciare il perno cross bolt all'aletta anteriore eliminando il gioco. Tenendo l'unità in posizione, serrare saldamente la vite fino a fissare la piastra di fissaggio mobile. Fare riferimento alla GUIDA AI COMPONENTI per i valori di coppia dei dispositivi di fissaggio.



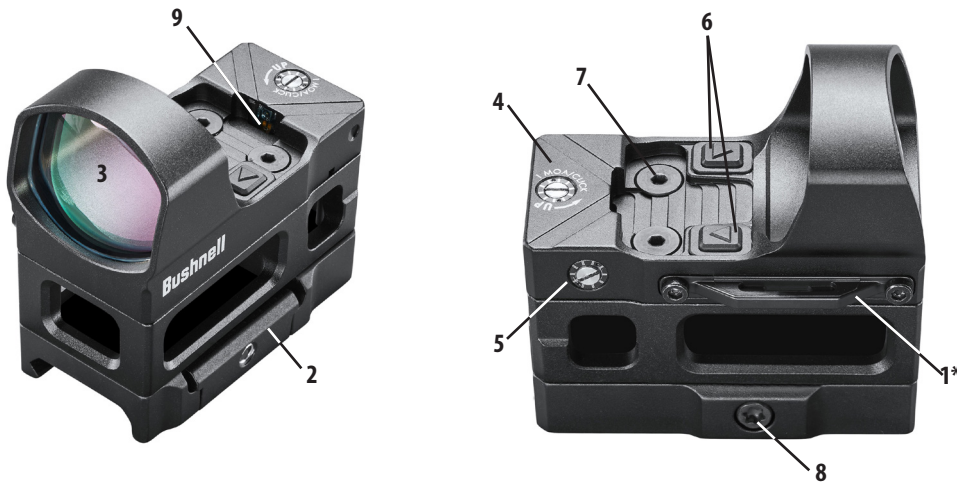
**AVVERTENZA: QUALORA IL MIRINO NON VENGA MONTATO A UNA DISTANZA SUFFICIENTE, IL MOVIMENTO DI SPINTA ALL'INDIETRO PUÒ PROVOCARE LESIONI AL TIRATORE A CAUSA DEL CONTRACCOLPO DEL FUCILE.**

## DETTAGLI DI MONTAGGIO

1. Qualsiasi base in stile Weaver o Picatinny è adatta per il montaggio del First Strike 2.0. Assicurati che la base che usi sia prodotta appositamente per la tua pistola, fucile o fucile. Assicurati che la base sia installata correttamente e fissata saldamente secondo le istruzioni del produttore per la tua sicurezza.
2. Allentare il bullone esagonale sul supporto del mirino utilizzando lo strumento fornito. Posiziona il supporto sulla guida di base in modo che il bullone incrociato si innesti in una fessura. Serrare il bullone esagonale. **ATTENZIONE: non serrare eccessivamente.**

## PARTS GUIDE

- |  |   |
|--|---|
| 1. Battery Compartment   | 6. Brightness Control                           |
| 2. Mount ( <i>Hi-Rise is included but not pre-installed on First Strike.</i> ) | 7. Small Hex Bolts (12-15 lb <sup>f</sup> *in)  |
| 3. Lens  | 8. Mount Cross-bolt (15-18 lb <sup>f</sup> *in) |
| 4. Elevation Adjustment  | 9. LED  |
| 5. Windage Adjustment  |   |



1\* - Battery Compartment Detail



Note: Your battery compartment design may differ from what is shown, but the battery orientation is the same.

## MESSA IN FUNZIONE DELLA BATTERIA

Prima di accendere il mirino per la prima volta, è necessario aprire il vano batteria e rimuovere l'adesivo protettivo o il disco di plastica dalla batteria. Consultare la Guida ai componenti per visualizzare la posizione del vano batteria nel proprio modello.

## SOSTITUZIONE DELLA BATTERIA

Se la luce del reticolo dovesse attenuarsi o non accendersi, sostituire la batteria. Per installare una nuova batteria, svitare il coperchio del vano batteria usando una moneta. Inserire una nuova batteria al litio CR2032, facendo attenzione alla posizione del polo positivo e negativo, che può variare a seconda del modello (vedere la Guida ai componenti). Ricollocare in posizione il coperchio della batteria.

*\*(se necessario, inserire un piccolo cacciavite nella fessura aperta del vano batteria per fare leva leggermente sulla placchetta prima di estrarla)*

**AVVERTENZA: quando si riposiziona il coperchio della batteria, assicurarsi che l'o-ring sia presente e non danneggiato. La mancata osservanza di questa avvertenza può provocare perdite di liquido all'interno del vano batteria.**

Verificare che il punto rosso sia presente accendendo l'alimentazione e aumentando la luminosità se necessario (vedere sezione successiva).

## ACCENSIONE E SPEGNIMENTO

Per accendere il mirino, premere il tasto di regolazione della luminosità freccia "Su" o freccia "Giù" (6, Guida ai componenti). Per spegnere il mirino, tenere premuto il tasto di regolazione della luminosità freccia "Giù" per 3 secondi. Per impostazione predefinita, un timer attiva lo spegnimento automatico dopo 12 ore di inattività per prolungare la durata della batteria. Riaccendere l'alimentazione per continuare a utilizzare il mirino, se necessario. Per disattivare il timer e abilitare l'alimentazione continua, mentre l'unità è accesa, tenere premuti entrambi i tasti freccia per tre secondi. Il punto rosso lampeggerà lentamente 3 volte per confermare la disattivazione del timer. *Nota: se si disabilita il timer, assicurarsi di spegnere manualmente l'alimentazione prima di riporre il mirino o quando non lo si utilizza per lunghi intervalli di tempo, per evitare di scaricare la batteria.*

Per riattivare il timer di 12 ore, tenere premuti nuovamente entrambi i tasti freccia per 3 secondi. Il punto rosso lampeggerà rapidamente quattro volte per confermare l'attivazione del timer e inizierà il conto alla rovescia. Premendo qualsiasi tasto durante l'utilizzo del mirino, il timer si riavvierà. Ogni volta che la batteria viene rimossa o sostituita, l'unità si accenderà nel suo stato predefinito, ovvero con la funzione timer attivata.

## REGOLAZIONE LUMINOSITÀ DEL PUNTO

Per regolare il livello di luminosità del reticolo a punto:

Premere e rilasciare il tasto freccia "Su" per aumentare la luminosità. Premere e rilasciare il tasto freccia "Giù" per diminuire la luminosità.

## PUNTAMENTO/AZZERAMENTO DEL MIRINO AR OPTICS®



**AVVERTENZA: POICHÉ LA PROCEDURA PREVEDE ESERCITAZIONI A FUOCO, DEVE ESSERE ESEGUITA IN UN POLIGONO AUTORIZZATO O IN UN'ALTRA ZONA SICURA. CONTROLLARE CHE IL CALIBRO NON SIA OSTRUITO. UN CALIBRO OSTRUITO PUÒ PROVOCARE LESIONI ALL'UTILIZZATORE E AD ALTRI NELLE VICINANZE. SI RACCOMANDA DI UTILIZZARE PROTEZIONI VISIVE E ACUSTICHE.**

1. Con il mirino montato, adagiare il fucile su un supporto solido. Accendere il mirino e regolare la luminosità come necessario finché il punto non sia chiaramente visibile.
2. Iniziare puntando lungo la canna (se il tipo di arma da fuoco lo consente, il puntamento tradizionale o laser è generalmente utile) e mirare un bersaglio a una distanza di 25-50 iarde (23-45 metri). Guardare attraverso il mirino First Strike e ruotare delicatamente le regolazioni di alzo e/o deriva usando lo strumento in dotazione per allineare il punto rosso al bersaglio come già fatto lungo la canna.
3. Sparare quindi una sequenza di colpi di prova per determinare il punto di impatto del proiettile. Se non si colpisce il punto di mira scelto (il centro del bersaglio), eseguire una regolazione ruotando le viti di alzo e deriva nella direzione in cui si vuole spostare il punto d'impatto. La tabella a destra consentirà di determinare la quantità adeguata di regolazione necessaria per cambiare il punto di impatto a seconda della distanza di tiro.

**Tabella del punto di impatto:**

Distanza	1 giro completo della vite di regolazione
25 iarde	7,5 pollici
50 iarde	15 pollici
100 iarde	30 pollici
Distanza	1 tacca di riferimento della vite di regolazione
25 iarde	0,75 pollici
50 iarde	1,5 pollici
100 iarde	3 pollici

## FUNZIONAMENTO IN CONDIZIONI ESTREME

- Caldo estremo (umido o secco): non sono richieste procedure speciali. Evitare l'esposizione prolungata se possibile.
- Freddo estremo: le temperature eccessivamente basse possono ridurre la durata della batteria. Possono anche rendere la rotella graduata (regolazione luminosità) sull'Incinerate/Enrage un po' più dura da girare rispetto alle normali temperature.
- Salsedine: non sono richieste procedure speciali.
- Spruzzi di acqua di mare, acqua, fango e neve: assicurarsi che il coperchio della batteria e i due cappucci di regolazione (se presenti) siano ben chiusi prima di esporre il mirino a spruzzi di acqua di mare, fango, neve, o prima di immergere il mirino in acqua. Serrare solo manualmente. Tenere i coprilente chiusi quando il mirino non è in uso. Pulire le lenti con carta/panno per lenti (vedere le precauzioni sotto) e asciugare la lente il prima possibile dopo l'esposizione ad acqua, spruzzi di acqua di mare, fango o neve.
- Tempeste di polvere e tempeste di sabbia: tenere i coprilente chiusi quando il mirino non è in uso.

**ATTENZIONE: le lenti non devono mai essere pulite con le dita ma con carta/panno per lenti, o con un panno in microfibra per evitare di graffiare il vetro.**

Utilizzare un pennello morbido o l'aria compressa per rimuovere eventuali detriti (sabbia, erba, ecc.) prima di utilizzare la carta per lenti o un panno morbido e pulito. Non applicare una pressione eccessiva durante la pulizia della lente.

## RISOLUZIONE DEI PROBLEMI

**Problema: il punto rosso non appare**

**Possibili cause/soluzioni:**

- **Batteria scarica:** sostituire la batteria con una nuova batteria al litio CR2032.
- **Batteria installata in modo errato:** rimuovere e reinstallare la batteria, facendo riferimento all'immagine del vano batteria nella Guida ai componenti.
- **La batteria non fa bene contatto:** pulire la superficie di contatto e reinstallare la batteria.
- **Selettore girevole difettoso:** contattare l'assistenza clienti Bushnell.

**Problema: impossibile azzerare**

**Possibili cause/soluzioni:**

- **La vite di regolazione è al limite:** controllare l'allineamento dell'attacco sulla canna.
- **Il punto di impatto si muove:** controllare l'attacco e la stabilità della slitta (o maniglia di trasporto) dell'arma.





I prodotti fabbricati a partire da giugno 2020 sono coperti dalla Garanzia Bushnell Ironclad. La Garanzia Ironclad è una garanzia a vita completa che copre la vita utile di questo prodotto. Ogni prodotto ha una durata di vita definita, che può variare da 1 a 30 anni. La durata di questo prodotto è riportata sul sito Web elencato di seguito e/o sulla pagina Web Bushnell specifica di questo prodotto.

Si garantisce che questo prodotto è esente da difetti di materiali e di lavorazione e che soddisferà tutti gli standard di prestazioni rappresentati per tutta la durata di vita del prodotto. Se questo prodotto non funziona correttamente a causa di un difetto coperto provvederemo, a nostra esclusiva discrezione, a ripararlo o sostituirlo e rispedirlo gratuitamente. Questa garanzia è completamente trasferibile e non richiede ricevuta, scheda di garanzia o registrazione del prodotto. La presente garanzia non copre quanto segue: componenti elettronici, batterie, danni estetici, danni causati dalla mancata corretta manutenzione del prodotto, perdita, furto, danni dovuti a riparazione, modifica o smontaggio non autorizzati, danni intenzionali, uso improprio o abuso e normale usura. La presente Garanzia decade se la data stampata o altri codici di serializzazione sono stati rimossi dal prodotto.

Per visualizzare la garanzia completa e trovare dettagli su come richiedere l'assistenza in garanzia, visitare il nostro sito Web all'indirizzo [www.bushnell.com/warranty](http://www.bushnell.com/warranty). In alternativa, è possibile richiedere una copia della garanzia chiamandoci al numero 1-800-423-3537 o scrivendoci a uno dei seguenti indirizzi:

Negli U.S.A. spedire a:  
Bushnell Outdoor Products  
Attn.: Repairs  
9200 Cody  
Overland Park, Kansas 66214

IN CANADA spedire a:  
Bushnell Outdoor Products  
Attn.: Repairs  
140 Great Gulf Drive, Unit B  
Vaughan, Ontario L4K 5W1

Per prodotti acquistati fuori da Stati Uniti o Canada, rivolgersi al rivenditore per le clausole pertinenti della garanzia.

La presente garanzia ti riconosce specifici diritti legali.  
Potresti avere altri diritti, i quali variano da paese a paese.

©2021 Bushnell Outdoor Products

## NOTA FCC

Questo dispositivo è stato collaudato e risulta essere conforme ai limiti previsti per i dispositivi digitali di Classe B ai sensi della Parte 15 delle normative FCC. Questi limiti sono concepiti per fornire ragionevole protezione contro interferenze nocive nelle installazioni residenziali. Questo dispositivo genera, utilizza e può irradiare energia a radiofrequenza e, se non installato e utilizzato come specificato nelle istruzioni, può causare interferenze dannose alle comunicazioni radio.

Tuttavia, non c'è alcuna garanzia che le interferenze non si verifichino in particolari installazioni. Se il dispositivo causa interferenze pericolose alla ricezione radio o televisiva (il che può essere verificato spegnendo e accendendo il dispositivo), si consiglia di cercare di correggere l'interferenza adottando una o più tra le seguenti misure:

- Riorientare o riposizionare l'antenna di ricezione.
- Aumentare la distanza tra il dispositivo e il ricevitore.
- Collegare il dispositivo a una presa su un circuito diverso da quello a cui è connesso il ricevitore.
- Consultare il rivenditore o un tecnico radio/TV esperto per assistenza.

È necessario utilizzare con il dispositivo il cavo di interfaccia schermato per garantire la conformità ai limiti previsti per i dispositivi digitali a norma della Sottoparte B della Parte 15 delle normative FCC.

Specifiche, istruzioni e design del presente prodotto sono soggetti a variazione senza alcun preavviso o ulteriore obbligo da parte del produttore.



## SICUREZZA FDA

Prodotto laser di classe 1 in conformità con IEC 60825-1:2007.

Conforme con 21 CFR 1040.10 e 1040.11 per i prodotti laser tranne che per le deviazioni di cui alla Laser Notice N. 50, datata 24 giugno 2007.

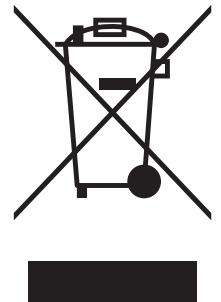
Attenzione: non ci sono controlli, regolazioni o procedure dell'utente. Prestazioni o procedure diverse da quelle qui specificate possono determinare l'accesso alla luce laser invisibile.


### **Smaltimento di apparecchiature elettriche ed elettroniche** *(Vigente presso i Paesi UE e altri Paesi europei con sistemi di raccolta differenziata dei rifiuti)*

Il presente apparecchio componenti elettriche e/o elettroniche e non può pertanto essere smaltito come rifiuto domestico ordinario. Al contrario, dovrebbe essere smaltito presso punti di raccolta destinati al riciclaggio, in base alle istruzioni delle amministrazioni locali. Tale operazione non prevede alcun costo per l'utente.

Qualora l'apparecchio dovesse contenere batterie (ricaricabili) sostituibili, anche queste devono essere prima rimosse e, laddove previsto, smaltite in conformità alle normative specifiche (cfr. altresì i commenti specifici nelle presenti istruzioni sull'unità).

Per ulteriori informazioni su questa tematica, rivolgersi all'amministrazione locale, all'azienda incaricata della raccolta dei rifiuti o alla rivendita presso cui è stato acquistato l'apparecchio.



 **AVVERTENZA: questo prodotto utilizza una batteria al litio. Le batterie al litio possono surriscaldarsi e causare danni se maltrattate fisicamente. Non utilizzare batterie danneggiate o che mostrano segni di usura fisica.**

# Bushnell®

©2021 Bushnell Outdoor Products  
Bushnell,™, ®, denote trademarks of Bushnell Outdoor Products  
[www.bushnell.com](http://www.bushnell.com)  
9200 Cody, Overland Park, KS 66214