

# **RCBS**®

## **EASY MELT™**

### **Lead Pot with Digital Temperature Control**



## **PRODUCT INSTRUCTIONS**

**Part # 81198**



<b><u>LANGUAGE</u></b>	<b><u>PAGES</u></b>
<b>English</b> _____	<b>4 - 10</b>
<b>Français</b> _____	<b>11 - 17</b>
<b>Español</b> _____	<b>18 - 24</b>
<b>Deutsch</b> _____	<b>25 - 31</b>
<b>Italiano</b> _____	<b>32 - 38</b>

 **WARNING!**

**BEFORE USING THE RCBS® EASY MELT™, READ THESE INSTRUCTIONS CAREFULLY TO FULLY LEARN HOW TO SAFELY OPERATE THE RELATED EQUIPMENT.**

**FAILURE TO PROPERLY OPERATE THE RELATED EQUIPMENT CAN RESULT IN SEVERE PERSONAL INJURY AND/OR EQUIPMENT DAMAGE.**

If you have any questions while assembling or operating this tool,  
Call us at 1-800-379-1732 (U.S. or Canada)

Monday – Friday 5:00 a.m. – 5:00 p.m. Pacific Time (hours may vary)

Or email us at [rcbs.tech@vistaoutdoor.com](mailto:rcbs.tech@vistaoutdoor.com)

This instruction manual contains specific safety and operating information. It should be considered a permanent part of your equipment and remain with the equipment at all times for easy reference.

 **WARNING: Melting lead and casting lead objects will expose you and others in the area to lead, which is known to cause birth defects, other reproductive harm and cancer.**

REDUCING EXPOSURE: Lead contamination in the air, in dust, and on your skin is invisible. ***Keep children and pregnant women away*** during use and until cleanup is complete. Risk can be reduced-but not eliminated-with strong ventilation; washing hands immediately after use of these products before eating or smoking; and careful cleaning of surfaces and floors with disposable wipes, after lead dust has had a chance to settle. Use a lead-specific cleaner with EDTA, or a high-phosphate detergent (like most detergents sold for electric dishwashers), and bag wipes for disposal.

**USE STRONG VENTILATION**



**SAFETY**

Reloading is an enjoyable and rewarding hobby that can be conducted safely. But carelessness or negligence can make reloading hazardous. This product has been designed from the beginning with the user's safety in mind.

When reloading, some safety rules must be followed. By observing these rules, the chance of a hazardous occurrence causing personal injury or property damage is minimized.

**GENERAL**

- Use all reloading equipment as the manufacturer recommends. Study the instructions carefully and become thoroughly familiar with the operation of the product. Don't take short cuts.
- Observe "good housekeeping" in the reloading area. Keep tools and components neat, clean and orderly. Promptly and completely clean up primer and powder spills.
- Reload only when you can give your undivided attention. Do not reload when fatigued or ill.

- Develop a reloading routine to avoid mistakes. Avoid haste — load at a leisurely pace.
- Always wear adequate eye protection.

## **ELECTRICAL WARNINGS**

**⚠ WARNING: CARE SHOULD BE USED WHEN OPERATING ELECTRICAL APPLIANCES IN WET AREAS OR AROUND WATER. OPERATING UNIT ON A GFCI OUTLET WITH A RATED TRIP CURRENT OF 30mA IS RECOMMENDED TO PROVIDE PROTECTION AGAINST ELECTRIC SHOCK. THE INSTALLATION OF A GFCI CIRCUIT SHOULD ONLY BE CARRIED OUT BY A QUALIFIED ELECTRICIAN.**

**⚠ CAUTION: Leave the unit unplugged until you have read all the instructions and are ready to use.**

- This product is equipped with a three wire, detachable power cord; plug only into a proper outlet.
- Do not work on wet floors.
- Do not plug into electrical outlet until the proper voltage is supplied.
- Locate all electric cords away from moisture, rain and moving parts.
- Periodically check all cords for worn/frayed spots and replace or repair to code if needed.
- Never submerge unit in water or any other liquid in an attempt to clean the unit.
- Never use unit if power cord becomes damaged.
- Never attempt to disassemble unit.
- Always use on a flat level surface.
- Always disconnect power cord before adjusting, cleaning, setup, etc.
- Always unplug unit when not in use.
- Allow for adequate room around unit to allow for cooling. Do not store items next to unit while in use. Keep cooling fans and vents clear of any obstructions (rags, bags, boxes, etc.).

**⚠ DANGER OF ELECTRIC SHOCK! To prevent life-threatening electric shock, please observe the following:**

- Do not use while bathing.
- Never immerse the device or power cord in water or other liquid.
- Never touch the power plug with wet hands, especially when inserting or removing the plug.
- If the unit has fallen in water during operation, do not touch the unit. Remove the power plug from the socket first.
- Do not spray water or liquid over the device.
- When removing the cord from the socket, grab the power plug, not the cord.
- Protect the power cord from damage.
- If there is damage to the power plug, cord, housing, or other parts of the device, do not use.
- Disassembly of this device should only be performed by qualified professionals at RCBS.

## **CASTING**

**Overexposure to lead can be harmful. Lead contributes to health impairment and diseases which occur after periods of lead exposure over long periods of time.**

- Bullet casting should not be conducted in a confined space or in an enclosed room. Ensure that well-ventilated areas are used to avoid build-up and breathing of lead dust, fumes and fluxing fumes. Good ventilation includes continuous cross-ventilation by large amounts of fresh air.
- Particulate masks should be worn during bullet casting activities.
- When casting or otherwise working with molten lead, always wear effective eye protection, appropriate protective clothing, leather or thick cotton work gloves, and shoes that cover

your feet and ankles completely. Protective clothing could include coveralls or one-piece jumpsuits. However, the clothing should not be used for any other activities. It should be laundered separately from other clothing. These precautions will minimize the likelihood of any lead dust being scattered around in other living areas.

- Maintain good housekeeping practices to ensure that surfaces are as free as practical of the accumulation of lead dust. Vacuuming is the preferred method. Compressed air should not be used.
- Hands, face and hair should be washed after working around lead dust, fumes or fluxing fumes, and prior to eating, drinking, smoking or applying cosmetics. The likelihood of lead ingestion increases if you don't.
- At all times, keep small children well away from the casting area.
- Do not smoke, eat or handle food when handling lead.
- Always make certain bullet mould, lead dipper and bullet metal are totally free of moisture.
- All electrical melting pots should be grounded to reduce risk of electrical shock.
- Melting pots in use should never be left unattended.
- Be sure your melting pot and heat source are stable, and the table or bench is solid.
- An ingot mould or other suitable container should be placed under the nozzle to catch lead that may leak.
- Never allow moisture near molten lead. If moisture is introduced to the molten lead, the liquid will vaporize instantly generating a steam eruption causing lead to be sprayed erratically, potentially causing injury to user.
- Never run furnace without lead in the pot.
- Do not attempt to move furnace when it is hot.

### **RECORD KEEPING**

- Keep complete records of reloads. Apply a descriptive label to each box showing the date produced, and the primer, powder and bullet used.

Since RCBS has no control over the choice of components, the manner in which they are assembled, the use of this product, or the guns in which the resulting ammunition may be used, no responsibility, either expressed or implied, is assumed for the use of ammunition reloaded with this product.

---

### **INTRODUCTION**

The new RCBS® EASY MELT™ ladle pot is a necessity for those who love to cast lead bullets with a traditional ladle. The pot's 25-pound capacity is enough to cast hundreds of projectiles. The programmable temperature control has a digital readout to ensure accuracy. A hinged cover warms moulds while keeping out debris. The EASY MELT ladle pot is a traditional option for those who love to manufacture bullets.

### **UNPACKING**

Unpack the EASY MELT carefully and look for the items listed below.

- EASY MELT body and base
- AC power cord

Should any parts be missing, please notify your dealer immediately.

See "Parts Reference" on pg. 9

### **INSTALLATION**

The EASY MELT is shipped pre-assembled and ready for use, no assembly is required.

## TO USE:

1. Plug the AC power cord into the EASY MELT unit, then plug the other end of the AC power cord into the correct AC receptacle.
2. Add ingots, or small pieces of lead to the melting pot, stacking them against the sides as much as possible.
3. Using the Digital Thermostat, set the desired Melting Pot temperature. (See "Digital Thermostat Operation" on pg. 8, and "Suggested Casting Temperatures" below for specific alloys).

Suggested Casting Temperatures	
Alloy	Casting Temp. (°F)
Pure Lead	700
1:20 Tin - Lead	700
1:10 Tin - Lead	700
Linotype	775
Wheel Weights*	775
*Composition & properties vary	

4. Continue to add ingots, or small pieces of lead to achieve desired Melting Pot capacity. Melting Pot capacity is 25lbs. of material. Do not operate EASY MELT with less than 1" of alloy in Melting Pot.
5. Using a casting ladle (*sold separately*), dip it into the Easy Melt pot to fill with molten material. Pour the material into the mould block using either the gravity or pressure pour method.

**⚠ WARNING!** Do not attempt to dip the mould block directly into the molten material in the pot. Any moisture or oils on the mould block will cause a violent reaction creating the potential for personal injury or death.

## WARMING MOULD BLOCKS

1. After all material has been added to Melting Pot, rotate cover, to completely cover the melting pot, this will speed up the heating process and aids in keeping debris out of melting pot.
2. The cover can also be used for heating Mould Blocks. Simply place Mould Block on top of cover to warm while waiting for material in Melting Pot to reach desired casting temperature, (*Photo 1*)

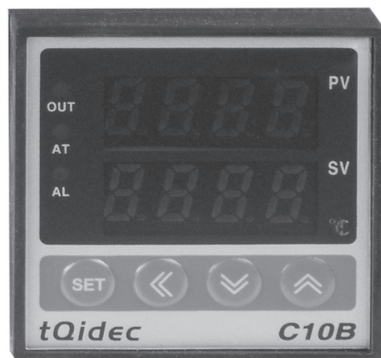


Photo 1

## USAGE NOTES

- For bullet casting instructions, consult the instruction book you received with your bullet moulds.
- When melting metals to produce an alloy, always be certain that you are using the recommended metals and recommended amounts.

## DIGITAL THERMOSTAT OPERATION



**⚠ CAUTION: Do not use if exposed to environments outside the temperature range of 32-122°F**

### Dual Display

- **PV** : Present Value (Measured Pot Temperature)
- **SV** : Set Value (Desired Pot Temperature)

### LED Indicators

- **Out** : Heating element is on and heating Melting Pot
- **AT** : Thermostat is adjusting output to ensure the measured Melting Pot temperature (PV) matches that of the desired Melting Pot temperature (SV)
- **AL** : Illuminates to alert user when PV temperature is 30-50°F higher than SV

## OPERATION

### To set desired temperature:

1. Depress **SET** button. **SV** Display will begin to flash.
2. Use the "**▲**" (increase value) and "**▼**" (decrease value) buttons to set your desired Melting Pot temperature.
3. When desired value is reached use the "**◀**" button to move to next value and use "**▲**" and/or "**▼**" buttons to increase or decrease the value.
4. When the desired temperature is displayed (**SV**), depress the **SET** button to confirm desired temperature and begin heating.

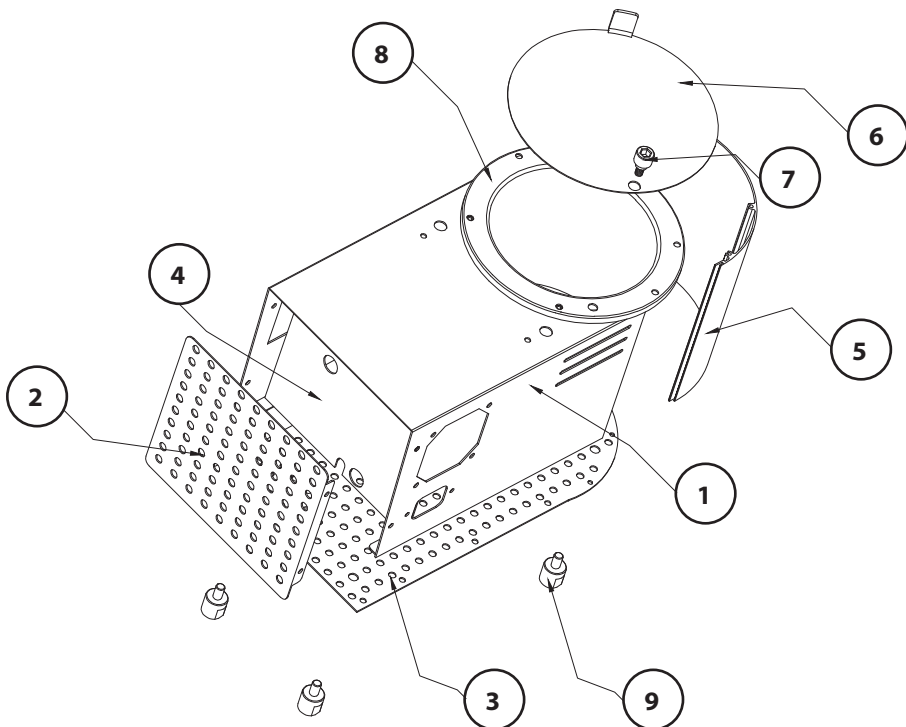
### To turn off the unit:

1. Depress **SET** button, display will begin to flash.
2. Use "**▲**", "**▼**", and "**◀**" buttons to set **SV** temperature to 0°F, this will turn off Pot heating.
3. The fan will continue to run to cool unit.
4. When unit cools down and **PV** display reads 160°F, unplug AC cord from unit to completely power down unit.

**⚠ CAUTION: Burn hazard.**  
**Do not touch the unit during or after operation until cooled.**



## PARTS REFERENCE



Part #	Description	Qty
1	Body	1
2	Back Board	1
3	Bottom Plate	1
4	Insulating Plate	2
5	Front Panel	1
6	Lid	1
7	Lid Pivot	1
8	Melting Pot	1
9	Feet	4

## **TWO YEAR LIMITED WARRANTY**

Congratulations on the purchase of your new RCBS EASY MELT. Your new EASY MELT is warranted to be free from defects in material or workmanship for a period of two (2) years from the date of purchase. This warranty is extended only to the original consumer purchaser. Should you believe that your EASY MELT is defective in material or workmanship, you must return it to RCBS, postage paid, for evaluation. If defective, the product will be repaired or replaced at RCBS's option, at no charge

Send a check in the amount of ten dollars (\$10) U.S. payable to RCBS Operation for return shipping and handling, along with the unit to:

RCBS  
605 Oro Dam Blvd East  
Oroville, California 95965

Warranty services cannot be provided without meeting the above requirements.

THIS WARRANTY DOES NOT COVER DEFECTS OR DAMAGE RESULTING FROM: CARELESSNESS, MISUSE, IMPROPER INSTALLATION, MODIFICATION, OR IF YOUR EASY MELT HAS BEEN ALTERED OR REPAIRED BY ANYONE OTHER THAN FACTORY PERSONNEL.

WARRANTY SERVICES CANNOT BE PROVIDED WITHOUT MEETING THE ABOVE REQUIREMENTS.

Please retain this warranty certificate for future reference.

THE IMPLIED WARRANTIES OF MERCHANTABILITY AND FITNESS FOR A PARTICULAR PURPOSE ARE LIMITED TO THE DURATION OF THIS LIMITED WARRANTY. RCBS OPERATION IS NOT LIABLE FOR DAMAGES IN EXCESS OF THE PURCHASE PRICE OF THE PRODUCT AND UNDER NO CIRCUMSTANCES SHALL RCBS OPERATION BE LIABLE FOR CONSEQUENTIAL OR INCIDENTAL DAMAGES. HOWEVER, SOME STATES DO NOT ALLOW LIMITATIONS ON INCIDENTAL OR CONSEQUENTIAL DAMAGES, SO THE ABOVE LIMITATION OR EXCLUSION MAY NOT APPLY TO YOU.

The above warranty provides the sole and exclusive warranty available to the customer in the event of a defect in material or workmanship in the EASY MELT. This warranty gives you specific legal rights, and you may also have other rights which vary from state to state.

### **CONTACT US:**

RCBS  
605 Oro Dam Blvd East  
Oroville, California 95965  
1-800-379-1732 (US or Canada)  
Fax Number: 530-533-1647  
E-mail: [rcbs.tech@vistaoutdoor.com](mailto:rcbs.tech@vistaoutdoor.com)  
Website: [www.rcbs.com](http://www.rcbs.com)

## AVERTISSEMENT !

**AVANT D'UTILISER LE RCBS® EASY MELT™, LISEZ CES INSTRUCTIONS AVEC ATTENTION POUR APPRENDRE COMMENT UTILISER L'ÉQUIPEMENT CONNEXE EN TOUTE SÉCURITÉ.**


**LE NON-RESPECT DU BON FONCTIONNEMENT DE L'ÉQUIPEMENT CONNEXE PEUT ENTRAÎNER DES BLESSURES IMPORTANTES ET/OU ENDOMMAGER LES ÉQUIPEMENTS.**

Si vous avez des questions lors de l'assemblage ou de l'utilisation de cet outil, appelez-nous au 1-800-379-1732 (États-Unis ou Canada)

Du lundi au vendredi, de 05 h 00 à 17 h 00 heure du Pacifique (les heures peuvent varier)

Ou contactez-nous par e-mail à [rcbs.tech@vistaoutdoor.com](mailto:rcbs.tech@vistaoutdoor.com)

Ce manuel d'instructions contient des informations spécifiques de sécurité et de fonctionnement. Il doit être considéré comme un élément à part entière de votre équipement et doit rester avec ce dernier pour pouvoir s'y référer facilement.

 **AVERTISSEMENT : la fonte du plomb et le moulage d'objets en plomb vous exposeront, ainsi que d'autres personnes, au plomb, connu pour être à l'origine d'anomalies congénitales, d'autres effets nocifs sur la reproduction et du cancer.**

RÉDUCTION DE L'EXPOSITION : la contamination par le plomb dans l'air, dans la poussière et sur votre peau est invisible. **Garder les enfants et les femmes enceintes à distance** pendant l'utilisation et jusqu'à ce que le nettoyage soit terminé. Les risques peuvent être réduits, mais pas éliminés, par une forte ventilation ; par un lavage des mains immédiatement après utilisation de ces produits avant de manger ou de fumer ; et par un nettoyage minutieux des surfaces et des sols avec des lingettes jetables, après que la poussière de plomb a pu s'installer. Utilisez un nettoyant spécifique au plomb avec de l'EDTA ou un détergent à haute teneur en phosphate (comme la plupart des détergents vendus pour les lave-vaisselle électriques) et des lingettes à sacs pour élimination.

## UTILISEZ UNE VENTILATION FORTE



## SÉCURITÉ

Le rechargement est un loisir agréable et gratifiant qui peut être pratiqué en toute sécurité. Mais l'imprudence ou la négligence peuvent rendre le rechargement dangereux. Ce produit a été conçu dès le départ dans l'optique de la sécurité de son utilisateur.

Lors du rechargement, des règles de sécurité doivent être respectées. Si vous respectez ces règles, les risques de blessures ou de dégâts matériels sont limités.

## GÉNÉRAL

- Utilisez tout l'équipement de rechargement tel que le recommande le fabricant. Étudiez attentivement les instructions et familiarisez-vous avec le fonctionnement du produit. Ne prenez pas de raccourcis.
- Gardez votre espace de rechargement « propre et rangé ». Gardez vos pièces et vos outils propres et rangés. Nettoyez rapidement et complètement les déversements d'apprêt et de poudre.
- Rechargez uniquement lorsque vous êtes sûr de pouvoir y consacrer toute votre attention. Ne rechargez pas quand vous êtes fatigué ou malade. Développez une routine de rechargement pour éviter les erreurs. Évitez la hâte — chargez à un rythme tranquille.
- Portez toujours des lunettes de sécurité appropriées.

## AVERTISSEMENTS ÉLECTRIQUES

**⚠ AVERTISSEMENT : SOYEZ PRUDENT LORS DE L'UTILISATION D'APPAREILS ÉLECTRIQUES DANS LES ZONES HUMIDES OU PROCHES DE L'EAU. L'UTILISATION DE L'APPAREIL SUR UNE PRISE GFCI AVEC UN COURANT NOMINAL DE DÉCLENCHEMENT DE 30 mA EST RECOMMANDÉ AFIN DE FOURNIR UNE PROTECTION CONTRE LES CHOCS ÉLECTRIQUES. L'INSTALLATION D'UN CIRCUIT GFCI DOIT UNIQUEMENT ÊTRE EFFECTUÉE PAR UN ÉLECTRICIEN QUALIFIÉ.**

**⚠ ATTENTION : ne branchez pas l'appareil tant que vous n'avez pas lu toutes les instructions et que vous n'êtes pas prêt à l'utiliser.**

- Ce produit est équipé d'un câble d'alimentation à trois fils et détachable, branchez-le uniquement dans une prise appropriée.
- Ne l'utilisez pas sur un sol humide.
- Ne le branchez pas sur une prise électrique tant que la tension adéquate n'est pas fournie.
- Installez tous les câbles électriques à l'écart de l'humidité, de la pluie et des éléments mobiles.
- Vérifiez régulièrement tous les câbles pour trouver d'éventuelles usures/effilochements et remplacez ou réparez le câble si nécessaire.
- N'immergez jamais l'appareil dans de l'eau ou tout autre liquide pour tenter de le nettoyer.
- N'utilisez jamais l'appareil si le câble d'alimentation est endommagé.
- N'essayez jamais de démonter l'appareil.
- Utilisez toujours sur une surface plane.
- Débranchez toujours le câble d'alimentation avant de régler, de nettoyer, de configurer, etc.
- Débranchez toujours l'appareil lorsqu'il n'est pas utilisé.
- Laissez suffisamment de place autour de l'appareil pour lui permettre de refroidir. Ne stockez pas d'objets à côté de l'appareil pendant l'utilisation. Maintenez la propreté des ventilateurs et fentes pour éviter toute obstruction (chiffons, sacs, boîtes, etc.).

**⚠ RISQUE DE CHOC ÉLECTRIQUE ! Pour éviter les chocs électriques potentiellement mortels, veuillez respecter les points suivants :**

- N'utilisez pas l'appareil dans un bain.
- Ne plongez jamais l'appareil ou le câble d'alimentation dans de l'eau ou un autre liquide.
- Ne touchez jamais la fiche d'alimentation avec les mains mouillées, surtout lorsque vous insérez ou retirez la fiche.
- Si l'appareil est tombé dans l'eau en cours de fonctionnement, ne touchez pas l'appareil. Retirez d'abord la fiche d'alimentation de la prise.
- Ne vaporisez pas d'eau ou de liquide sur l'appareil.
- Lorsque vous retirez le câble de la prise, saisissez la fiche d'alimentation, et non le câble.
- Protégez le câble d'alimentation des dommages.
- En cas d'endommagement de la fiche d'alimentation, du câble, du boîtier ou d'autres parties de l'appareil, ne l'utilisez pas.
- Le démontage de cet appareil ne doit être effectué que par des professionnels qualifiés de RCBS.

## FONDERIE

**La surexposition au plomb peut être nocive. Le plomb contribue à l'apparition de troubles ou maladies après des expositions au plomb pendant de longues périodes.**

- La coulée de balles ne doit pas être menée dans un espace confiné ou dans une pièce fermée. Assurez-vous de l'utilisation de zones bien ventilées pour éviter l'accumulation et la respiration des poussières de plomb, des fumées et des fumées fondantes. Une bonne ventilation comprend une ventilation croisée continue par de grandes quantités d'air frais.
- Des masques à particules doivent être utilisés pendant les activités de coulée.
- Lors de la coulée ou autrement avec du plomb en fusion, porter toujours une protection efficace des yeux, des vêtements de protection appropriés, des gants de travail en coton ou en coton épais et des chaussures qui couvrent complètement les pieds et les chevilles. Les vêtements

de protection pourraient inclure des combinaisons ou des vêtements d'une pièce. Cependant, les vêtements ne doivent pas être utilisés pour d'autres activités. La protection doit être lavée séparément des autres vêtements. Ces précautions réduiront la probabilité qu'une poussière de plomb soit dispersée dans d'autres espaces de vie.

- Maintenir de bonnes pratiques d'entretien pour s'assurer que les surfaces sont aussi dégagées que possible de l'accumulation de poussière de plomb. L'aspiration est la méthode préférée. L'air comprimé ne doit pas être utilisé.
- Les mains, le visage et les cheveux doivent être lavés après avoir travaillé autour de la poussière de plomb, des fumées ou des fumées fondantes, et avant de manger, boire, fumer ou appliquer des produits cosmétiques. La probabilité d'ingestion de plomb augmente si vous ne le faites pas.
- En tout temps, garder les petits enfants bien loin de la zone de moulage.
- Ne pas fumer, manger ou manipuler des aliments lors de la manipulation du plomb.
- Toujours faire en sorte que le moule à balle, le plongeur en plomb et le métal de balle sont totalement exempts d'humidité.
- Tous les pots électriques de fusion doivent être mis à la terre pour réduire le risque de choc électrique.
- Les pots de fusion utilisés ne doivent jamais être laissés sans surveillance.
- Assurez-vous que votre pot de fusion et votre source de chaleur sont stables et que la table ou le banc est solide.
- Une lingotière ou un autre récipient approprié doit être placé sous la buse pour attraper le plomb qui pourrait fuir.
- Ne laissez jamais l'humidité près du plomb fondu. Si de l'humidité est introduite dans le plomb fondu, le liquide se vaporisera instantanément en générant une éruption de vapeur provoquant une pulvérisation irrégulière du plomb, ce qui pourrait blesser l'utilisateur.
- Ne faites jamais fonctionner le four sans plomb dans le pot.
- N'essayez pas de déplacer le four lorsqu'il est chaud.

## **CONSERVATION DES INFORMATIONS**

- Conservez des registres détaillés de vos rechargements. Appliquez une étiquette descriptive sur chaque boîte, avec la date de production, ainsi que les types d'amorce, de poudre et d'ogive utilisés.

Étant donné que RCBS n'a aucun contrôle sur le choix des composants, la manière dont ils sont assemblés, l'utilisation de ce produit ou de pistolets dans lesquelles les munitions résultantes peuvent être utilisées, aucune responsabilité, expresse ou implicite, n'est assumée pour l'utilisation de munitions rechargées avec ce produit.

---

## **PRÉSENTATION**

Le nouveau pot à louche RCBS® EASY MELT™ est une nécessité pour ceux qui aiment fondre des balles de plomb avec une louche traditionnelle. La capacité de 25 livres du pot est suffisante pour fondre des centaines de projectiles. Le contrôle programmable de la température dispose d'un affichage numérique pour assurer la précision. Un couvercle à charnière réchauffe les moules tout en gardant les débris. Le pot à louche EASY MELT est une option traditionnelle pour ceux qui aiment fabriquer des balles.

## **DÉBALLAGE**

Déballer soigneusement EASY MELT et recherchez les éléments ci-dessous.

- Corps et base EASY MELT
- Cordon d'alimentation CA

Si des pièces manquent, veuillez en informer immédiatement votre revendeur.

Voir « Référence des pièces » sur pg. 16

## **INSTALLATION**

Le EASY MELT est expédié pré-assemblé et prêt à l'emploi, aucun montage n'est nécessaire.

## UTILISATION :

1. Branchez le cordon d'alimentation secteur dans l'unité EASY MELT, puis branchez l'autre extrémité du cordon d'alimentation secteur dans la prise CA correcte.
2. Ajouter des lingots ou de petits morceaux de plomb au pot de fusion, en les empilant sur les côtés autant que possible.
3. À l'aide du thermostat numérique, réglez la température souhaitée du pot de fusion. (*Reportez-vous à la section « Fonctionnement du thermostat numérique » à la page 15, et « Températures de moulage suggérées » ci-dessous pour les alliages spécifiques*).

Températures de moulage suggérées	
Alliage	Temp. de moulage (°F)
Plomb pur	700
1:20 Étain - Plomb	700
1:10 Étain - Plomb	700
Linotype	775
Poids des roues *	775
* La composition et les propriétés varient	

4. Continuez à ajouter des lingots ou de petits morceaux de plomb pour obtenir la capacité souhaitée du pot de fusion. La capacité du pot de fusion est de 25 lb. de matériel. Ne pas utiliser EASY MELT avec moins de 1" d'alliage dans le pot de fusion.
5. À l'aide d'une louche de coulée (*vendue séparément*), plongez-le dans le pot Easy Melt pour le remplir avec du matériel fondu. Versez le matériau dans le bloc-moule en utilisant soit gravité soit la méthode de coulée par pression.

**⚠ AVERTISSEMENT !** N'essayez pas de tremper le bloc-moule directement dans le matériau fondu dans le pot. Toute humidité ou huiles sur le bloc-moule provoqueront une réaction violente, risquant d'entraîner des blessures corporelles ou la mort.

## CHAUFFAGE DE BLOCS-MOULES

1. Une fois que tout le matériel a été ajouté au pot de fusion, tournez le couvercle, pour couvrir complètement le pot de fusion, cela accélérera le processus de chauffage et aidera à garder les débris hors du pot de fusion.
2. Le couvercle peut également être utilisé pour le chauffage des blocs-moules. Placez simplement le bloc-moule sur le dessus du couvercle pour réchauffer en attendant que le matériau dans le pot de fusion atteigne la température de coulée désirée, (*Photo 1*)

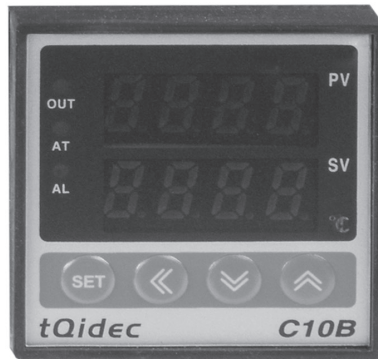


Photo 1

## NOTES D'UTILISATION

- Pour les instructions de coulée de balle, consultez le carnet d'instructions que vous avez reçu avec vos moules à balle.
- Lors de la fusion des métaux pour produire un alliage, soyez toujours certain d'utiliser les métaux recommandés et les quantités recommandées.

## FONCTIONNEMENT THERMOSTAT NUMÉRIQUE



**⚠ ATTENTION : Ne pas utiliser en cas d'exposition à des environnements situés en dehors de la plage de température de 32-122 °F (0-50 °C).**

### Double affichage

- **PV** : Valeur actuelle (température mesurée)
- **SV** : Valeur définie (température souhaitée du pot)

### Indicateurs LED

- **Out** : L'élément chauffant est allumé et chauffe le pot de fusion
- **AT** : Le thermostat règle la sortie pour s'assurer que la température mesurée du pot de fusion (PV) correspond à celle souhaitée du pot de fusion (SV)
- **AL** : S'allume pour alerter l'utilisateur lorsque la température PV est de 30-50 °F supérieure à SV (0 à 10 °C)

## FONCTIONNEMENT

### Pour régler la température souhaitée :

1. Appuyez sur la touche **SET**. L'écran **SV** commencera à clignoter.  
Utilisez les touches « **▲** » (valeur croissante) et « **▼** » (valeur décroissante) pour régler la température souhaitée du point de fusion.
2. Lorsque la valeur souhaitée est atteinte, utilisez la touche « **◀** » pour passer à la valeur suivante et utilisez les touches « **▲** » et / ou « **▼** » pour augmenter ou diminuer la valeur.
3. Lorsque la température désirée est affichée (**SV**), appuyez sur la touche **SET** pour confirmer la température désirée et commencer le chauffage.

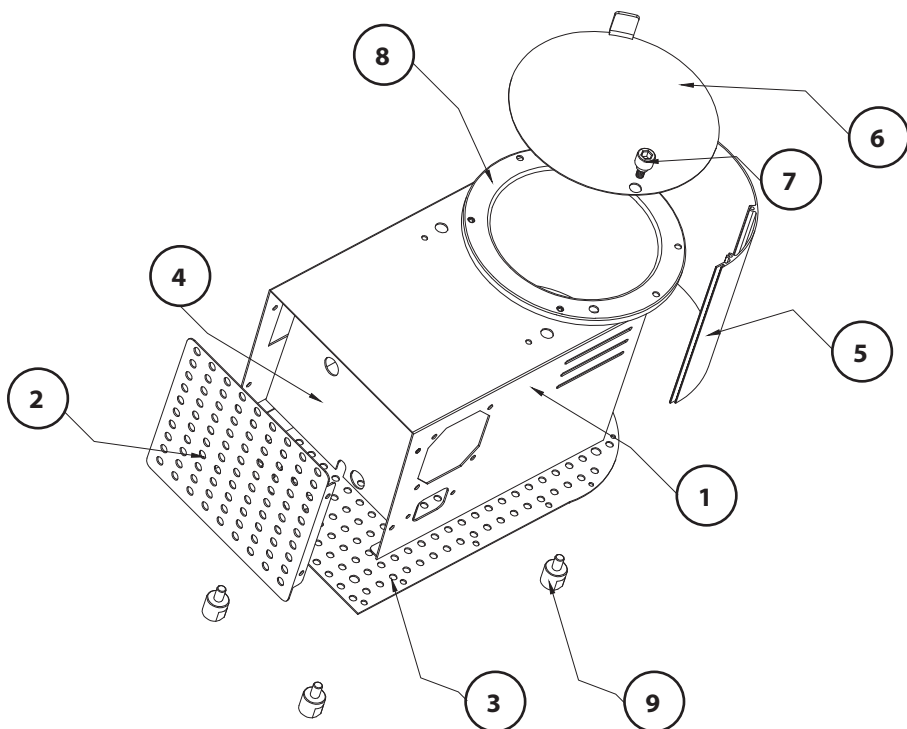
### Pour éteindre l'appareil :

1. Appuyez sur la touche **SET**, l'écran commencera à clignoter.
2. Utilisez les touches « **▲** », « **▼** » et « **◀** » pour définir la température **SV** sur 0 °F, le pot arrêtera de chauffer.
3. Le ventilateur continuera à fonctionner pour refroidir l'appareil.
4. Lorsque l'unité refroidit et l'écran **PV** affiche 160 °F (71 °C), débranchez le cordon d'alimentation de l'appareil mettre l'appareil complètement hors tension.

**⚠ ATTENTION : Risque de brûlure.**

**Ne pas toucher l'appareil pendant ou après l'opération jusqu'à ce qu'il soit refroidi.**

## RÉFÉRENCES



Référence	Description	Qté
1	Corps de texte	1
2	Panneau arrière	1
3	Plaque de fond	1
4	Plaque isolante	2
5	Panneau avant	1
6	Couvercle	1
7	Pivot de couvercle	1
8	Pot de fusion	1
9	Pieds	4



## **GARANTIE LIMITÉE DE DEUX ANS**

Félicitations pour l'achat de votre nouveau RCBS EASY MELT. Votre nouveau EASY MELT est garanti exempt de tout défaut matériel ou de fabrication sur une période de deux (2) ans à partir de la date d'achat. Cette garantie couvre uniquement l'acheteur d'origine. Si vous pensez que votre EASY MELT possède un défaut matériel ou de fabrication, vous devez le renvoyer à RCBS, affranchi, pour évaluation. En cas de défaut, le produit sera réparé ou remplacé à la discrétion de RCBS, sans coût additionnel.

Envoyez un chèque de dix USD (10 \$) à l'ordre de RCBS Operation pour le renvoi et la manutention, ainsi que l'appareil à l'adresse :

RCBS  
605 Oro Dam Blvd East  
Oroville, California 95965

Les services de garantie ne peuvent pas être fournis en cas de non-respect des exigences susmentionnées.

CETTE GARANTIE NE COUVRE PAS LES DÉFAUTS OU LES DÉGÂTS RÉSULTANTS D'UNE IMPRUDENCE, D'UNE MAUVAISE UTILISATION, D'UNE MAUVAISE INSTALLATION, D'UNE MODIFICATION, OU SI VOTRE EASY MELT A ÉTÉ MODIFIÉ OU RÉPARÉ PAR UNE PERSONNE EXTÉRIEURE AU PERSONNEL DE L'USINE.

LES SERVICES DE GARANTIE NE PEUVENT PAS ÊTRE FOURNIS EN CAS DE NON-RESPECT DES EXIGENCES SUSMENTIONNÉES.

Veuillez conserver ce certificat de garantie pour une consultation ultérieure.

LES GARANTIES IMPLICITES DE QUALITÉ MARCHANDE ET D'ADÉQUATION À UNE UTILISATION PARTICULIÈRE SONT LIMITÉES À LA DURÉE DE CETTE GARANTIE LIMITÉE. RCBS OPERATION N'EST PAS RESPONSABLE DES DÉGÂTS D'UN COÛT SUPÉRIEUR AU PRIX D'ACHAT DU PRODUIT ET NE POURRA ÊTRE EN AUCUN CAS TENU RESPONSABLE DES DOMMAGES CONSÉCUTIFS OU INDIRECTS. CEPENDANT, CERTAINS ÉTATS INTERDISSENT LES LIMITATIONS SUR LA GARANTIE DES DÉGÂTS CONSÉCUTIFS OU ACCESSOIRES, LA DÉCLARATION CI-DESSUS EST DONC SUSCEPTIBLE DE NE PAS VOUS CONCERNER.

La garantie ci-dessus représente la seule et unique garantie disponible au client dans le cas d'un défaut matériel ou de fabrication sur l'EASY MELT. Cette garantie vous donne des droits juridiques spécifiques, et d'autres droits varient d'un État à l'autre.

### **NOUS CONTACTER :**

RCBS  
605 Oro Dam Blvd East  
Oroville, California, 95965  
1-800-379-1732 (États-Unis ou Canada)  
Numéro de télécopieur : 530-533-1647  
E-mail : rcbs.tech@vistaoutdoor.com  
Site Web : www.rcbs.com



## ¡ADVERTENCIA!

**ANTES DE USAR EL PRODUCTO EASY MELT™ DE RCBS®, LEA ATENTAMENTE ESTAS INSTRUCCIONES PARA APRENDER A MANEJAR DE FORMA SEGURA EL EQUIPO RELACIONADO CON EL MISMO.**

**EL MANEJO INADECUADO DEL EQUIPO PUEDE PROVOCAR LESIONES PERSONALES GRAVES Y/O DAÑOS A LA MÁQUINA.**

Si tiene alguna pregunta durante el montaje o el manejo de esta herramienta, llámenos al 1-800-379-1732 (EE.UU. o Canadá)

Lunes - Viernes 5:00 a.m. – 5:00 p.m. Hora del Pacífico (las horas pueden variar)

O escribanos a [rcbs.tech@vistaoutdoor.com](mailto:rcbs.tech@vistaoutdoor.com)

Este manual de instrucciones contiene información específica sobre seguridad y funcionamiento. Debe considerarse como una parte permanente de su equipo y conservarse junto con él en todo momento para poder consultarlo.



**ADVERTENCIA: Fundir plomo y colar objetos de plomo lo expondrán a usted y a otras personas que estén a su alrededor al plomo, que se sabe que causa defectos de nacimiento, otros daños reproductivos y cáncer.**

REDUCCIÓN DE LA EXPOSICIÓN: La contaminación de plomo en el aire, en el polvo y en la piel es invisible. **Mantenga a los niños y a las mujeres embarazadas alejados del plomo** durante su uso y hasta que finalice la limpieza. El riesgo puede reducirse, pero no eliminarse, con una buena ventilación; lavándose las manos inmediatamente después de usar estos productos antes de comer o fumar; y limpiando cuidadosamente las superficies y el suelo con toallitas desechables, después de que el polvo de plomo se haya asentado. Utilice un limpiador específico para plomo con EDTA o un detergente con alto contenido de fosfato (como la mayoría de los detergentes vendidos para lavavajillas eléctricos) y bolsas para su eliminación.

## VENTILE ADECUADAMENTE



## SEGURIDAD

La recarga es un pasatiempo agradable y gratificante que puede realizarse de forma segura. Pero el descuido o la negligencia pueden hacer la recarga peligrosa. Este producto ha sido diseñado desde el principio con la seguridad del usuario en mente.

Deben seguirse ciertas reglas de seguridad al recargar. Mediante la observación de estas normas, la probabilidad de ocurra algo peligroso y se causen lesiones a personas o daños materiales se reduce al mínimo.

## GENERAL

- Utilice todo el equipo de recarga como recomienda el fabricante. Estudie cuidadosamente las instrucciones y familiarícese con el funcionamiento del producto. No tome atajos.
- Realice una buena limpieza en el área de recarga. Mantenga las herramientas y componentes limpios y ordenados. Limpie de inmediato y completamente los derrames de imprimación y polvo.
- Recargue sólo cuando pueda prestarle toda su atención. No recargue cuando esté fatigado o enfermo. Desarrolle una rutina de recarga para evitar errores. Evite las prisas, cargue a un ritmo pausado.
- Use siempre protección ocular adecuada.

## ADVERTENCIAS ELÉCTRICAS

**⚠️ ADVERTENCIA: TENGA CUIDADO AL MANEJAR APARATOS ELÉCTRICOS EN ÁREAS HÚMEDAS O ALREDEDOR DE AGUA. SE RECOMIENDA USAR LA UNIDAD DE FUNCIONAMIENTO EN UNA SALIDA GFCI CON UNA CORRIENTE DE VELOCIDAD NOMINAL DE NO MÁS DE 30mA PARA PROPORCIONAR PROTECCIÓN CONTRA LAS SACUDIDAS ELÉCTRICAS. LA INSTALACIÓN DE UN CIRCUITO DE GFCI DEBE REALIZARLA SOLAMENTE UN ELECTRICISTA CALIFICADO.**

**⚠️ PRECAUCIÓN: Deje la unidad desconectada hasta que haya leído todas las instrucciones y esté lista para usarse.**

- Este producto está equipado con un cable de alimentación de tres cables, desmontable; enchúfelo sólo en un tomacorriente adecuado.
- No trabaje en suelos húmedos.
- No lo enchufe en la toma eléctrica hasta que se suministre el voltaje adecuado.
- Coloque todos los cables eléctricos lejos de la humedad, la lluvia y piezas móviles.
- Revise periódicamente todos los cables en busca de puntos desgastados/pelados y sustituya o repare para cifrar si es necesario.
- Nunca sumerja la unidad en agua o cualquier otro líquido en un intento de limpiarla.
- Nunca utilice la unidad si el cable de alimentación está dañado.
- Nunca intente desmontar la unidad.
- Utilícela siempre sobre una superficie plana y nivelada.
- Desconecte siempre el cable de alimentación antes de ajustar, limpiar, configurar, etc.
- Desenchufe siempre la unidad cuando no esté en uso.
- Deje espacio suficiente alrededor de la unidad para permitir el enfriamiento. No guarde objetos cerca de la unidad mientras esté en uso. Mantenga los ventiladores de refrigeración libres de obstrucciones (trapos, bolsas, cajas, etc.).

**⚠️ ¡PELIGRO DE DESCARGA ELÉCTRICA! Para evitar descargas eléctricas potencialmente mortales, tenga en cuenta lo siguiente:**

- No la use mientras se baña.
- Nunca sumerja el dispositivo ni el cable de alimentación en agua u otro líquido.
- Nunca toque el enchufe con las manos mojadas, especialmente al insertar o quitar el enchufe.
- Si la unidad se ha caído al agua durante el funcionamiento, no la toque. Desconecte primero el enchufe de alimentación de la toma.
- No rocíe agua o líquido sobre el dispositivo.
- Cuando retire el cable de la toma, coja el enchufe, no el cable.
- Proteja de daños el cable de alimentación.
- Si hay daños en el enchufe de alimentación, el cable, la carcasa u otras partes del dispositivo, no lo use.
- El desmontaje de este dispositivo deben realizarlo solo profesionales calificados en RCBS.

## COLADO

**La sobreexposición al plomo puede ser perjudicial. El plomo contribuye al deterioro de la salud y a enfermedades que aparecen después de la exposición al plomo durante largos períodos de tiempo.**

- El colado de balas no debe realizarse en un espacio confinado o en una habitación cerrada. Asegúrese de usar áreas bien ventiladas para evitar la acumulación la respiración del polvo de plomo, los vapores y los humos fundentes. Una buena ventilación incluye una ventilación cruzada continua con grandes cantidades de aire fresco.
- Deben llevarse mascarillas de protección contra partículas durante las actividades de colado de balas.
- Cuando cuele o trabaje de cualquier otra forma con plomo fundido, use siempre una protección ocular efectiva, ropa protectora apropiada, guantes de trabajo de cuero o algodón grueso y zapatos que cubran completamente los pies y los tobillos. La ropa protectora podría incluir un mono o un mono de una sola pieza. Sin embargo, la ropa no debe utilizarse para ninguna otra actividad. Debe lavarse por separado de otras prendas de vestir. Estas precauciones minimizarán la probabilidad de que el polvo de plomo se disemine por otras áreas de la vivienda.

- Mantenga buenas prácticas de limpieza para asegurarse de que las superficies estén tan libres como sea posible de la acumulación de polvo de plomo. Aspirar es el método preferido. No se debe utilizar aire comprimido.
- Las manos, el rostro y el cabello deben lavarse después de trabajar alrededor de polvo de plomo, humos o vapores fundentes, y antes de comer, beber, fumar o aplicar cosméticos. La probabilidad de ingestión de plomo aumenta si no lo hace.
- En todo momento, mantenga a los niños pequeños lejos del área de fundición.
- No fume, coma ni maneje alimentos al manipular plomo.
- Siempre asegúrese de que el molde de la bala, el cazo de plomo y el metal de la bala estén exentos de toda humedad.
- Todas las ollas eléctricas de fundición deben estar conectadas a tierra para reducir el riesgo de descarga eléctrica.
- Las ollas de fundición en uso nunca deben dejarse desatendidas.
- Asegúrese de que su olla de fundición y su fuente de calor están estabilizadas, y la mesa o el banco es estable.
- Debe colocarse una lingotera u otro recipiente adecuado debajo de la boquilla para atrapar el plomo que pudiera derramarse.
- Nunca maneje plomo fundido en un entorno húmedo. Si se introduce humedad en el plomo fundido, el líquido se vaporiza instantáneamente y genera una erupción de vapor que hace que el plomo salpique de forma errática, lo que puede dañar potencialmente al usuario.
- Nunca ponga en marcha el horno sin plomo en la olla.
- No intente mover el horno cuando está caliente.

### **MANTENIMIENTO DE REGISTROS**

- Mantenga un registro completo de las recargas. Ponga una etiqueta descriptiva en cada caja que muestre la fecha de producción y el fulminante, la pólvora y la bala usados.

Dado que RCBS no tiene control sobre la elección de los componentes, la forma en que se montan, el uso de este producto, o las armas en las que se puede utilizar la munición resultante, no asume ninguna responsabilidad, expresa o implícita, por el uso de municiones recargadas con este producto.

### **INTRODUCCIÓN**

La nueva olla de cazo RCBS® EASY MELT™ es una necesidad para aquellos que aman fundir y colar balas de plomo con un cazo tradicional. La capacidad de 25 libras de la olla es suficiente para colar cientos de proyectiles. El control programable de la temperatura tiene una lectura digital para asegurar la precisión. Una cubierta con bisagras calienta los moldes a la vez que mantiene fuera los residuos. La olla de cazo EASY MELT es una opción tradicional para los amantes de la fabricación de balas.

### **DESEMBALAJE**

Desembale cuidadosamente la EASY MELT y busque los artículos que se enumeran a continuación.

- EASY MELT cuerpo y base
- Cable de alimentación CA

Si falta alguna pieza, por favor notifique a su distribuidor inmediatamente.

Consulte la "Referencia de piezas" en la pág. 23

### **INSTALACIÓN**

La EASY MELT se envía pre-ensamblada y lista para su uso, no se requiere montaje.

## PARA USARLA:

1. Conecte el cable de alimentación de CA a la unidad EASY MELT y, a continuación, conecte el otro extremo del cable de alimentación de CA al receptáculo de CA correcto.
2. Agregue lingotes, o pequeños pedazos de plomo a la olla de fundición, apilándolos contra los lados tanto como sea posible.
3. Utilizando el termostato digital, ajuste la temperatura deseada de la olla de fundición. (Consulte "Funcionamiento del termostato digital" en la página 22 y "Temperaturas de colado sugeridas" más adelante para aleaciones específicas).

Temperaturas de colado sugeridas	
Aleación	Temp. de colado (°F)
Plomo puro	700
1:20 Estaño - Plomo	700
1:10 Estaño - Plomo	700
Linotipo	775
Pesos de ruedas *	775
* La composición y las propiedades varían	

4. Continúe añadiendo lingotes, o pequeños trozos de plomo para lograr la capacidad deseada de la olla de fundición. La capacidad de la olla de fundición es de 25 libras de material. No haga funcionar la EASY MELT con menos de 1" de aleación en la olla de fundición.
5. Usando un cazo de colado (*se vende por separado*), sumérjalo en la olla Easy Melt para llenarlo de material fundido. Vierta el material en el bloque de molde utilizando el método de vertido por gravedad o por presión.



**¡ADVERTENCIA!** No intente sumergir el bloque de molde directamente en el material fundido de la olla. Cualquier humedad o aceites que haya en el bloque de molde causarán una reacción violenta que podría causar lesiones personales o la muerte.

## CALENTAR LOS BLOQUES DE MOLDE

1. Después de haber agregado todo el material a la olla de fundición, gire la tapa para cubrir completamente la olla, esto acelerará el proceso de calentamiento y ayudará a mantener los residuos fuera de la misma.
2. La tapa también se puede utilizar para calentar bloques de molde. Simplemente coloque el bloque del molde encima de la tapa para calentarlo mientras espera a que el material de la olla alcance la temperatura de colado deseada, (Foto 1)

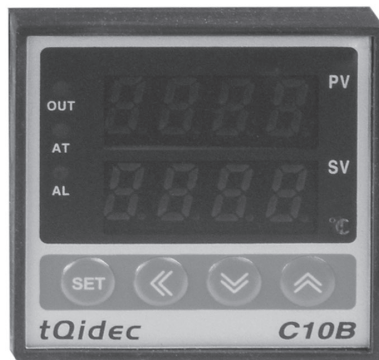


Foto 1

## NOTAS DE USO

- Para las instrucciones de colado de balas, consulte el libro de instrucciones que recibió con sus moldes de bala.
- Al fundir metales para producir una aleación, asegúrese siempre de estar utilizando los metales y las cantidades recomendados.

## FUNCIONAMIENTO DEL TERMOSTATO DIGITAL



**⚠ PRECAUCIÓN: No lo use si está expuesto a ambientes fuera del rango de temperatura de 32–122°F (0–50 °C).**

### Pantalla dual

- **PV:** Valor Actual (Temperatura medida de la olla)
- **SV:** Valor de ajuste (Temperatura deseada de la olla)

### Indicadores LED

- **Out:** El calefactor está encendido y calentando la olla
- **AT:** El termostato ajusta la salida para garantizar que la temperatura actual (PV) coincide con la temperatura deseada (SV)
- **AL:** Se ilumina para alertar al usuario cuando la temperatura de PV es de 30–50°F mayor que la SV (0 - 10 °C)

## FUNCIONAMIENTO

### Para ajustar la temperatura deseada:

1. Pulse **el botón SET**. **SV** comenzará a parpadear.
2. Utilice los botones “**▲**” (aumentar valor) y “**▼**” (disminuir valor) para ajustar la temperatura deseada de la olla.
3. Cuando alcance el valor deseado, use el botón “**◀**” para pasar al siguiente valor y utilice “**▲**” y/o “**▼**” para aumentar o disminuir el valor.
4. Cuando visualice la temperatura deseada (**SV**), pulse el botón **SET** para confirmar la temperatura deseada y comenzar a calentar.

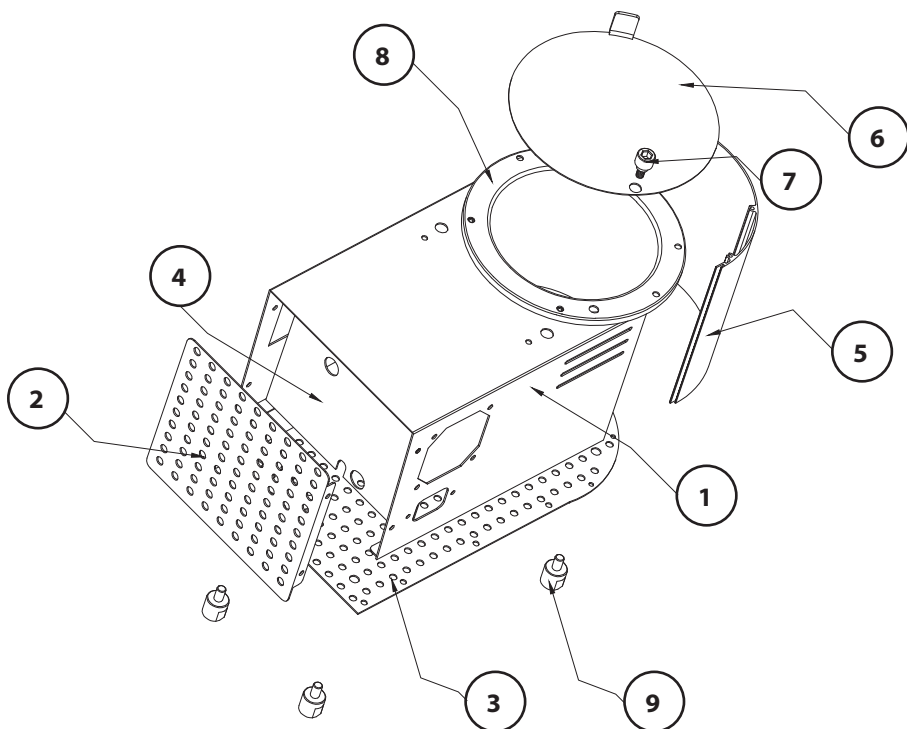
### Para apagar la unidad:

1. Pulse el botón **SET**, la pantalla comenzará a parpadear.
2. Utilice los botones “**▲**”, “**▼**”, y “**◀**” para establecer **la temperatura SV** a 0°F, esto apagará la calefacción de la olla.
3. El ventilador continuará funcionando para enfriar la unidad.
4. Cuando la unidad se enfríe y la pantalla **PV** muestre 160°F (71 °C), desenchufe el cable de CA de la unidad para desconectarla por completo.

**⚠ PRECAUCIÓN: Peligro de quemadura.**

**No toque la unidad durante o después de la operación hasta que se enfríe.**

## REFERENCIA DE LAS PIEZAS



Pieza núm.	Descripción	Cant.
1	Cuerpo	1
2	Junta trasera	1
3	Placa inferior	1
4	Placa aislante	2
5	Panel frontal	1
6	Tapa	1
7	Pivote de tapa	1
8	Olla de fundición	1
9	Pies	4

## **GARANTÍA LIMITADA DE DOS AÑOS**

Felicidades por la compra de su nuevo RCBS EASY MELT. Su nuevo EASY MELT está garantizado contra defectos de material o de fabricación durante un período de dos (2) años desde la fecha de compra. Esta garantía se aplica solo al comprador original. En caso de que considere que su EASY MELT tiene defectos de material o fabricación, debe enviarlo a RCBS, con franqueo pagado, para su evaluación. Si está defectuoso, el producto será reparado o sustituido a opción de RCBS, sin coste alguno.

Envíe un cheque por la cantidad de diez USD (\$10) pagaderos a RCBS Operation para el envío de devolución y manipulación, junto con la unidad a:

RCBS  
605 Oro Dam Blvd East  
Oroville, California 95965

No se podrán llevar a cabo los servicios de garantía si no se cumplen los requisitos anteriores.

ESTA GARANTÍA NO CUBRE LOS DEFECTOS NI DAÑOS RESULTANTES POR: DESCUIDO, MAL USO, INSTALACIÓN INCORRECTA O MODIFICACIÓN, NI SI SU EASY MELT HA SIDO ALTERADO O REPARADO POR ALGUIEN QUE NO SEA EL PERSONAL DE LA FÁBRICA.

NO SE PODRÁN LLEVAR A CABO LOS SERVICIOS GARANTÍA SIN NO SE CUMPLEN LOS REQUISITOS ANTERIORES.

Por favor, guarde este certificado de garantía para futuras consultas.

LAS GARANTÍAS DE COMERCIALIZACIÓN Y APTITUD PARA UN PROPÓSITO PARTICULAR SE LIMITAN A LA DURACIÓN DE ESTA GARANTÍA LIMITADA. RCBS OPERATION NO ES RESPONSABLE DE LOS DAÑOS POR UN PRECIO DE COMPRA EXCESIVO DEL PRODUCTO Y, EN NINGUNA CIRCUNSTANCIA, RCBS OPERATION SERÁ RESPONSABLE POR DAÑOS DERIVADOS O ACCIDENTALES. SIN EMBARGO, EN ALGUNOS ESTADOS NO PERMITEN LIMITACIONES EN LOS DAÑOS ACCIDENTALES O DERIVADOS, POR LO QUE LA LIMITACIÓN ANTERIOR PUEDE QUE NO SE LE APLIQUE A USTED.

La garantía anterior proporciona la única y exclusiva garantía a disposición del cliente en caso de defectos en el material o de fabricación del EASY MELT. Esta garantía le otorga derechos legales específicos, y también puede tener otros derechos que varían de un estado a otro.

### **PÓNGASE EN CONTACTO CON NOSOTROS:**

RCBS  
605 Oro Dam Blvd East  
Oroville, California, 95965  
1-800-379-1732 (EE. UU. o Canadá)  
Número de fax: 530-533-1647  
E-mail: [rcbs.tech@vistaoutdoor.com](mailto:rcbs.tech@vistaoutdoor.com)  
Sitio web: [www.rcbs.com](http://www.rcbs.com)



## **WARNUNG!**

**BITTE LESEN SIE VOR DER INBETRIEBNAHME DES RCBS® EASY MELT™ FÜR EINE SICHERE BETRIEBUNG DES BETREFFENDEN GERÄTES DIESE BETRIEBUNGSANLEITUNG SORGFÄLTIG DURCH.**


**EINE UNSACHGEMÄSSE BETRIEBUNG DES BETREFFENDEN GERÄTES KANN ZU SCHWERER KÖRPERVERLETZUNG UND/ODER SCHÄDEN AM GERÄT FÜHREN.**

Sollten Sie beim Zusammensetzen oder Bedienen dieses Werkzeuges Fragen haben, rufen Sie uns bitte an unter +1 (800) 3 79 17 32 (USA oder Kanada)

Montag bis Freitag 5.00 Uhr–17.00 Uhr pazifische Zeitzone (Öffnungszeiten können abweichen)

Oder senden Sie uns eine E-Mail an [rcbs.tech@vistaoutdoor.com](mailto:rcbs.tech@vistaoutdoor.com)

Diese Betriebsanleitung enthält spezifische Sicherheits- und Betriebsinformationen. Sie sollte als dauerhafter Bestandteil des Gerätes betrachtet werden und zur einfachen Referenz jederzeit beim Gerät verbleiben.

 **WARNUNG: Das Schmelzen und Gießen von Bleiobjekten setzt Sie und andere in unmittelbarer Umgebung Blei aus, welches Geburtsfehler, andere reproduktive Schäden und Krebs verursachen kann.**

AUSSETZUNG VERRINGERN: Blei-Kontamination in der Luft, in Staub und auf der Haut ist unsichtbar. **Halten Sie Kinder und schwangere Frauen fern**, solange das Gerät in Gebrauch und bis die Reinigung abgeschlossen ist. Das Risiko kann durch starke Belüftung reduziert, aber nicht beseitigt werden; Hände sofort nach Gebrauch dieser Produkte vor dem Essen oder Rauchen waschen; nachdem der Bleistaub sich gelegt hat, Oberflächen und Fußböden mit Einwegwischtüchern sorgfältig reinigen. Verwenden Sie einen bleispezifischen Reiniger mit EDTA oder ein Hoch-Phosphat-Reinigungsmittel (wie die meisten für elektrische Geschirrspüler erhältlichen Spülmittel) und tüten Sie die Tücher zur Entsorgung ein.

**SORGEN SIE FÜR  
STARKE VENTILATION**



### **SICHERHEIT**

Wiederladen ist ein spannendes und interessantes Hobby, dem auf sichere Weise nachgegangen werden kann. Aber Unachtsamkeit oder Nachlässigkeit können das Wiederladen gefährlich machen. Dieses Produkt wurde von Grund auf unter dem Gesichtspunkt der Benutzersicherheit entworfen. Beim Wiederladen müssen gewisse Sicherheitsregeln befolgt werden. Durch Einhaltung dieser Regeln wird das Risiko von Personen- oder Sachschäden minimiert.

### **ALLGEMEINES**

- Verwenden Sie alle Wiederladegeräte gemäß Herstellerempfehlung. Lesen Sie die Anweisungen sorgfältig durch und machen Sie sich mit dem Betrieb des Produktes eingehend vertraut. Nehmen Sie keine Abkürzungen.
- Den Wiederladebereich sauber und aufgeräumt halten. Werkzeuge und andere Komponenten gepflegt, sauber und ordentlich halten. Reinigen Sie verschüttetes Zündmittel und Pulver unverzüglich und vollständig.
- Nur dann Wiederladen, wenn Sie der Tätigkeit Ihre ungeteilte Aufmerksamkeit schenken können. Nicht Wiederladen, wenn Sie müde oder krank sind. Entwickeln Sie eine Routine beim Wiederladen, um Fehler zu vermeiden. Vermeiden Sie Eile – Laden Sie in einem gemütlichen Tempo.
- Tragen Sie stets angemessenen Augenschutz.

## ELEKTRISCHE WARNHINWEISE

**⚠️ WARNUNG: BEIM BETRIEB VON ELEKTRISCHEN GERÄTEN IN NASSEN BEREICHEN ODER IN DER NÄHE VON WASSER IST VORSICHT GEBOTEN. ES WIRD EMPFOHLEN, DAS GERÄT AN EINER GFCI-STECKDOSE MIT EINEM AUSLÖSEBEMESSUNGSSTROM VON 30mA ZU BETRIEBEN, UM SCHUTZ GEGEN ELEKTRISCHEN SCHOCK ZU GEWÄHREN. DIE INSTALLATION EINES GFCI-SCHALTKREISES SOLLTE NUR VON EINEM QUALIFIZIERTEN ELEKTRIKER VORGENOMMEN WERDEN.**

**⚠️ ACHTUNG: Lassen Sie das Gerät ausgesteckt, bis Sie alle Anweisungen gelesen haben und betriebsbereit sind.**

- Dieses Produkt ist mit einem dreidadrigen, abnehmbaren Netzkabel ausgestattet; nur in eine passende Steckdose stecken.
- Arbeiten Sie nicht auf nassen Böden.
- Stecken Sie es nicht an einer Steckdose an, bis die richtige Spannung geliefert wird.
- Halten Sie alle elektrischen Kabel von Feuchtigkeit, Regen und beweglichen Teilen fern.
- Überprüfen Sie alle Kabel regelmäßig auf abgenutzte und ausgefranste Stellen und ersetzen oder reparieren Sie das Kabel bei Bedarf.
- Das Gerät niemals zur Reinigung in Wasser oder andere Flüssigkeiten tauchen.
- Benutzen Sie das Gerät niemals mit beschädigtem Netzkabel.
- Versuchen Sie niemals, das Gerät zu zerlegen.
- Immer auf ebener Oberfläche verwenden.
- Beim Einstellen, Reinigen, Einrichten usw. immer vom Strom trennen.
- Bei Nichtbenutzung immer vom Strom trennen.
- Zur Abkühlung für ausreichend Platz um das Gerät herum sorgen. Lagern Sie keine Gegenstände neben dem Gerät, wenn es benutzt wird. Halten Sie die Lüfter und die Lüftungsschlitze frei von Hindernissen (Lumpen, Taschen, Schachteln usw.).

**⚠️ GEFAHR EINES ELEKTRISCHEN SCHLAGS! Um einen lebensbedrohlichen elektrischen Schlag zu vermeiden, beachten Sie bitte Folgendes:**

- Nicht beim Baden benutzen.
- Tauchen Sie das Gerät oder Netzkabel niemals in Wasser oder andere Flüssigkeiten.
- Berühren Sie den Netzstecker niemals mit nassen Händen, besonders beim Einsetzen oder Herausnehmen des Steckers.
- Wenn das Gerät während des Betriebs in Wasser gefallen ist, darf das Gerät nicht berührt werden. Ziehen Sie zuerst den Netzstecker aus der Steckdose.
- Spritzen Sie kein Wasser oder Flüssigkeit auf das Gerät.
- Ziehen Sie das Kabel am Netzstecker und nicht am Kabel selbst aus der Steckdose.
- Schützen Sie das Netzkabel vor Beschädigungen.
- Das Gerät darf bei Beschädigung des Netzsteckers, des Kabels, des Gehäuses oder anderer Teile des Gerätes nicht verwendet werden.
- Die Demontage dieses Gerätes darf nur von qualifizierten Fachkräften bei RCBS durchgeführt werden.

## GIESSEN

**Eine Blei-Überexposition kann schädlich sein. Blei trägt zu gesundheitlichen Beeinträchtigungen und Krankheiten bei, die nach längerer Blei-Exposition über lange Zeiträume auftreten.**

- Das Gießen von Kugeln sollte nicht in beengten Platzverhältnissen oder einem abgeschlossenen Raum durchgeführt werden. Stellen Sie sicher, dass gut belüftete Bereiche verwendet werden, um die Anhäufung und das Einatmen von Bleistaub, Dämpfen und Flusddämpfen zu vermeiden. Gute Belüftung beinhaltet eine kontinuierliche Querbelüftung durch große Frischluftmengen.
- Beim Gießen von Kugeln sollten Partikelmasken getragen werden.
- Tragen Sie beim Gießen oder sonstigen Arbeiten mit geschmolzenem Blei stets einen optimalen Augenschutz, geeignete Schutzkleidung, Arbeitshandschuhe aus Leder oder dicker Baumwolle und Schuhe, die Ihre Füße und Knöchel vollständig bedecken. Schutzkleidung kann aus Overalls

oder einteiligen Arbeitsanzügen bestehen. Allerdings sollte die Kleidung nicht für andere Tätigkeiten verwendet werden. Sie sollte getrennt von anderen Kleidungsstücken gewaschen werden. Diese Vorsichtsmaßnahmen minimieren die Wahrscheinlichkeit, dass Bleistaub in anderen Wohnbereichen verteilt wird.

- Pflegen Sie gute hauswirtschaftliche Praktiken, um sicherzustellen, dass Oberflächen frei von Bleistaubansammlungen bleiben. Am besten benutzen Sie einen Staubsauger. Druckluft darf nicht verwendet werden.
- Hände, Gesicht und Haare sollten nach der Arbeit im Umfeld von Bleistaub, Dämpfen oder Flusddämpfen und vor dem Essen, Trinken, Rauchen oder dem Auflegen von Kosmetika gewaschen werden. Das Risiko einer Bleieinnahme erhöht sich, wenn Sie dies nicht tun.
- Halten Sie kleine Kinder stets vom Gießbereich fern.
- Rauchen und essen Sie nicht und handhaben Sie kein Essen, wenn Sie Blei verarbeiten.
- Stellen Sie stets sicher, dass die Kugelkokille, die Bleikelle und das Kugelmetall absolut frei von Feuchtigkeit sind.
- Alle elektrischen Schmelztiegel sollten geerdet sein, um das Risiko eines elektrischen Schlags zu verringern.
- Schmelztiegel in Gebrauch sollten niemals unbeaufsichtigt bleiben.
- Stellen Sie sicher, dass Ihr Schmelztiegel und Ihre Wärmequelle stabil sind und der Tisch oder die Bank solide ist.
- Eine Kokille oder ein anderer geeigneter Behälter sollte unter die Düse gestellt werden, um eventuell auslaufendes Blei aufzufangen.
- Lassen Sie niemals Feuchtigkeit in der Nähe von geschmolzenem Blei zu. Wenn Feuchtigkeit in geschmolzenes Blei gelangt, verdampft die Flüssigkeit sofort und löst dadurch eine Dampferuption aus, was zu unkontrollierten Bleispritzern führt, welche Verletzungen beim Benutzer verursachen können.
- Den Ofen niemals ohne Blei im Tiegel laufen lassen.
- Versuchen Sie nicht, den Ofen zu bewegen, wenn er heiß ist.

## **DOKUMENTATION**

- Führen Sie detaillierte Aufzeichnungen über die Wiederladungen. Bringen Sie auf jeder Schachtel ein Etikett mit Produktionsdatum und verwendeter Zündkapsel, Pulver und Kugel an.

Da RCBS keine Kontrolle über die Wahl der Komponenten, die Art und Weise, in der sie zusammengebaut werden, die Verwendung dieses Produkts oder der Waffen, in denen die resultierende Munition verwendet werden kann, hat, wird keine Verantwortung, ausdrücklich oder impliziert, über die Verwendung von mit diesem Produkt wiedergeladener Munition übernommen.

---

## **EINLEITUNG**

Der neue RCBS® EASY MELT™ Tiegel ist ein Muss für alle, die Bleikugeln am liebsten mit einer traditionellen Kelle gießen. Die 25-Pfund-Kapazität des Tiegels reicht aus, um Hunderte von Geschossen zu gießen. Die programmierbare Temperaturregelung verfügt über eine digitale Anzeige, um die Genauigkeit zu gewährleisten. Ein Klappdeckel erwärmt Kokillen und hält Schmutz fern. Der EASY MELT Tiegel ist eine traditionelle Variante für alle, die gerne Kugeln herstellen.

## **AUSPACKEN**

Packen Sie den EASY MELT sorgfältig aus und suchen Sie nach den unten aufgeführten Elementen.

- EASY MELT Gehäuse und Basis
- Netzkabel

Sollten Bestandteile fehlen, so informieren Sie bitte unverzüglich Ihren Händler.

Siehe „Bestandteilreferenz“ auf S. 30

## **INSTALLATION**

Der EASY MELT wird vormontiert und gebrauchsfertig ausgeliefert, es ist keine Montage erforderlich.

## **BENUTZUNG:**

1. Schließen Sie das Netzkabel an den EASY MELT an und stecken Sie das andere Ende des Netzkabels in eine passende Steckdose.
2. Geben Sie Barren oder kleine Bleistücke in den Schmelztiegel und stapeln Sie sie so gut es geht entlang der Seitenwände.
3. Legen Sie mit Hilfe des digitalen Thermostats die gewünschte Schmelztiegeltemperatur fest. (Siehe „Digitaler Thermostatbetrieb“ auf S. 29 und „Vorgeschlagene Gießtemperaturen“ für spezifische Legierungen unten).

<b>Vorgeschlagene Gießtemperaturen</b>	
<b>Legierung</b>	<b>Gießtemp. (°F)</b>
Reines Blei	700
1:20 Zinn – Blei	700
1:10 Zinn – Blei	700
Linotype	775
Radgewichte*	775

*\*Zusammensetzung und Eigenschaften variieren*

4. Fügen Sie weitere Barren oder kleine Bleistücke hinzu, um die gewünschte Schmelztiegelkapazität zu erreichen. Die Kapazität des Schmelztiegels beträgt 25 lbs. Material. Betreiben Sie EASY MELT nicht mit weniger als 1" Legierung im Schmelztiegel.
5. Tauchen Sie eine Gießkelle (*separat erhältlich*) in den Easy Melt Tiegel, um sie mit geschmolzenem Material zu füllen. Gießen Sie das Material in den Kokillenblock, indem Sie entweder die Schwerkraft- oder Druckgussmethode verwenden.

**! WARNUNG!** Versuchen Sie nicht, den Kokillenblock direkt in das geschmolzene Material im Topf zu tauchen. Jede Feuchtigkeit oder Öle auf dem Kokillenblock wird eine heftige Reaktion verursachen, die zu Körperverletzung oder Tod führen kann.

## **KOKILLENBLÖCKE AUFWÄRMEN**

1. Nachdem Sie das ganze Material in den Schmelztiegel gegeben haben, rotieren Sie den Deckel, um den Schmelztiegel vollständig zu bedecken. Dies wird den Erwärmungsprozess beschleunigen und hilft, Schmutz aus dem Schmelztiegel fernzuhalten.
2. Der Deckel kann auch zum Aufheizen von Kokillenblöcken verwendet werden. Stellen Sie einfach den Kokillenblock zum Aufheizen auf den Deckel, während Sie darauf warten, dass das Material im Schmelztiegel die gewünschte Gusstemperatur erreicht hat (*Bild 1*)

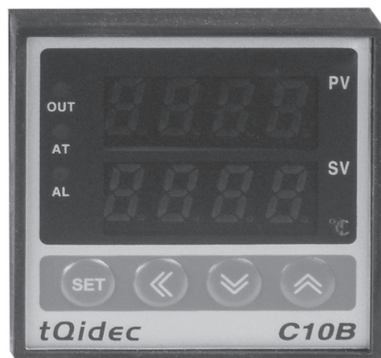


*Bild 1*

## **ANWENDUNGSHINWEISE**

- Konsultieren Sie die Gebrauchsanweisung Ihrer Kugelkokillen, um Anweisungen für das Gießen von Kugeln zu erhalten.
- Wenn Sie Metalle schmelzen, um eine Legierung herzustellen, stellen Sie stets sicher, dass Sie die empfohlenen Metalle und Mengen verwenden.

## BETRIEB DES DIGITALEN THERMOSTATS



**⚠ ACHTUNG:** In Umgebungen außerhalb des Temperaturbereichs von 32–122 °F (0–50 °C) nicht verwenden

### Doppelanzeige

- **PV:** Gegenwärtiger Wert (gemessene Tiegeltemperatur)
- **SV:** Sollwert (gewünschte Tiegeltemperatur)

### LED-Indikatoren

- **Out:** Heizelement ist an und heizt den Schmelztiegel
- **AT:** Thermostat passt den Output an, um sicherzustellen, dass die gemessene Schmelztiegeltemperatur (PV) der gewünschten Schmelztiegeltemperatur (SV) entspricht.
- **AL:** Leuchtet auf, um dem Benutzer anzuzeigen, dass die PV-Temperatur 30–50 °F höher als der SV ist (0 - 10 °C).

## BETRIEB

### Um die gewünschte Temperatur einzustellen:

1. Drücken Sie die **SET**-Taste. **SV** Die Anzeige beginnt zu blinken.  
Verwenden Sie die „**▲**“ (Wert erhöhen) und „**▼**“ (Wert verringern)-Tasten, um die gewünschte Schmelztiegeltemperatur einzustellen.
2. Wenn der gewünschte Wert erreicht ist, verwenden Sie die „**◀**“-Taste, um zum nächsten Wert zu gelangen und die „**▲**“ und/oder „**▼**“-Tasten, um den Wert zu erhöhen oder zu verringern.
3. Wenn die gewünschte Temperatur angezeigt wird (**SV**), drücken Sie die **SET**-Taste, um die gewünschte Temperatur zu bestätigen und mit dem Heizen zu beginnen.

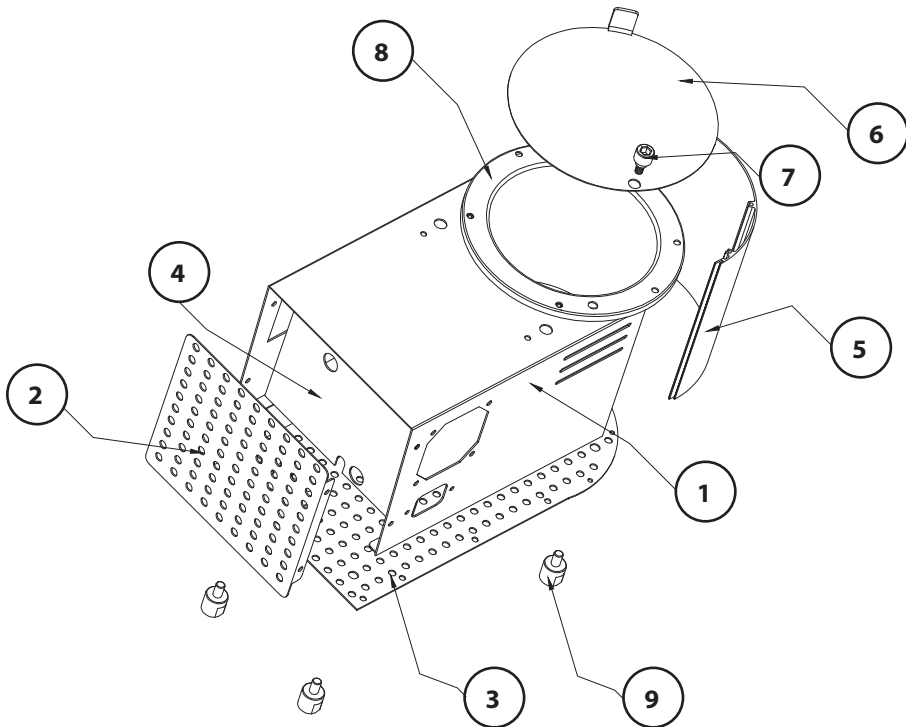
### Um das Gerät auszuschalten:

1. Drücken Sie die **SET**-Taste und die Anzeige beginnt zu blinken.
2. Benutzen Sie die „**▲**“, „**▼**“ und „**◀**“-Tasten, um die **SV**-Temperatur auf 0 °F zu stellen. Dies schaltet die Tiegelheizung ab.
3. Der Lüfter wird weiterlaufen, um das Gerät zu kühlen.
4. Wenn das Gerät abkühlt und die **PV**-Anzeige 160 °F (71 °C) anzeigt, entfernen Sie das Netzkabel vom Gerät, um es komplett auszuschalten.

**⚠ ACHTUNG:** Verbrennungsgefahr.

**Berühren Sie das Gerät nicht während oder nach dem Betrieb, bevor es abgekühlt ist.**

## BESTANDTEILREFERENZ



Bestandteilnummer	Beschreibung	Menge
1	Gehäuse	1
2	Rückwand	1
3	Bodenplatte	1
4	Isolierplatte	2
5	Frontblende	1
6	Deckel	1
7	Deckelachse	1
8	Schmelztiegel	1
9	Fuß	4

## **ZWEI JAHRE BESCHRÄNKTE GARANTIE**

Herzlichen Glückwunsch zum Kauf Ihres neuen RCBS EASY MELT. Für Ihren neuen EASY MELT gilt für zwei (2) Jahre ab Kaufdatum eine Garantie auf Material- und Verarbeitungsfehler. Diese Garantie wird nur dem Originalkäufer gewährt. Wenn Sie den Eindruck haben, dass Ihr EASY MELT Material- oder Verarbeitungsfehler aufweist, müssen Sie ihn portofrei an RCBS zur Überprüfung einsenden. Bei vorhandenen Mängeln wird das Produkt kostenfrei nach Ermessen von RCBS repariert oder ersetzt

Legen Sie dem Gerät einen Scheck in Höhe von zehn US-Dollar (10 \$), zahlbar an RCBS Operation, für Rücksendung und Handhabung bei und senden es an:

RCBS  
605 Oro Dam Blvd East  
Oroville, California 95965

Es werden keine Garantieleistungen erbracht, wenn die obigen Bedingungen nicht erfüllt sind.

DIESE GARANTIE DECKT KEINE MÄNGEL ODER SCHÄDEN MIT FOLGENDER URSACHE AB: ACHTLOSIGKEIT, MISSBRAUCH, UNSACHGEMÄSSE INSTALLATION, ÄNDERUNG ODER MODIFIKATIONEN ODER REPARATUREN IHRES EASY MELT DURCH ANDERE PERSONEN ALS DEM WERKSPERSONAL.

ES WERDEN KEINE GARANTIELEISTUNGEN ERBRACHT, WENN DIE OBIGEN BEDINGUNGEN NICHT ERFÜLLT SIND.

Bewahren Sie diesen Garantieschein als künftige Referenz auf.

ALLE STILLSCHWEIGENDEN ZUSICHERUNGEN DER MARKTGÄNGIGKEIT UND EIGNUNG FÜR EINEN BESTIMMTEN ZWECK SIND AUF DIE DAUER DIESER LIMITIERTEN GARANTIE BESCHRÄNKT. DIE RCBS OPERATION HAFTET NICHT FÜR SCHÄDEN JENSEITS DES PRODUKTWERTS ODER FÜR FOLGE- ODER BEILÄUFIG ENTSTANDENE SCHÄDEN. EINIGE STAATEN ERLAUBEN KEINE EINSCHRÄNKUNG DER BEGLEIT- ODER FOLGESCHÄDEN, SODASS DIE OBEN GENANNTEN EINSCHRÄNKUNGEN ODER AUSSCHLÜSSE MÖGLICHERWEISE NICHT AUF SIE ZUTREFFEN.

Die oben genannte Garantie ist die alleinig und ausschließlich zuerkannte Gewährleistung gegenüber dem Kunden bei Material- oder Verarbeitungsfehlern des EASY MELT. Diese Garantie gewährt Ihnen besondere gesetzliche Rechte, und Sie haben möglicherweise weitere Rechte, die von Land zu Land unterschiedlich sein können.

### **KONTAKTIEREN SIE UNS:**

RCBS  
605 Oro Dam Blvd East  
Oroville, California 95965  
+1 (800) 3 79 17 32 (USA oder Kanada)  
Faxnummer: 53 05 33 16 47  
E-Mail: rcbs.tech@vistaoutdoor.com  
Webseite: www.rcbs.com

## **AVVERTENZA!**

**PRIMA DI USARE EASY MELT™ DI RCBS®, LEGGERE ATTENTAMENTE LE PRESENTI ISTRUZIONI PER COMPRENDERE PIENAMENTE COME FAR FUNZIONARE IN SICUREZZA L'APPARECCHIATURA.**

**UN UTILIZZO IMPROPRIO DELLA RELATIVA APPARECCHIATURA PUÒ ESSERE CAUSA DI LESIONI PERSONALI GRAVI E/O DANNI ALL'APPARECCHIO.**

In caso di domande relative all'assemblaggio o all'utilizzo di questo strumento, contattare il numero 1-800-379-1732 (U.S.A. o Canada)

Dal Lunedì al Venerdì dalle 5.00 alle 17.00 Orario del Pacifico (gli orari possono variare)

O inviare un'email a [rcbs.tech@vistaoutdoor.com](mailto:rcbs.tech@vistaoutdoor.com)

Questo manuale d'uso contiene informazioni dettagliate relative alla sicurezza e al funzionamento. Lo stesso deve essere considerato come parte integrante dell'apparecchio e deve rimanere sempre con esso, per una consultazione rapida.

 **AVVERTENZA: Fondere e colare oggetti in piombo espone l'utente e le altre persone presenti nell'area al piombo che, nello Stato della California, è conosciuto come causa di malformazioni, altri danni agli organi riproduttivi e cancro.**

**RIDUZIONE DELL'ESPOSIZIONE:** la contaminazione da piombo nell'aria, nella polvere e sulla pelle è invisibile. **Tenere lontani bambini e donne in stato di gravidanza** durante l'uso e fino al termine delle operazioni di pulizia. Il rischio può essere ridotto ma non eliminato con una forte ventilazione; lavando le mani subito dopo l'uso di questi prodotti, prima di mangiare o fumare; pulendo con cura le superfici e i pavimenti con strofinacci usa e getta una volta che la polvere del piombo si è depositata. Usare un detergente specifico per il piombo con EDTA, o un detergente ad alto contenuto di fosfato (come la maggior parte dei detersivi venduti per le lavastoviglie), e sacchi della pulizia per lo smaltimento.

## **FORTE VENTILAZIONE**



## **SICUREZZA**

La ricarica di munizioni è un hobby piacevole e gratificante che può essere svolto in forma sicura. Ma la negligenza o la trascuratezza possono rendere pericolosa l'operazione di ricarica munizioni. Il prodotto è stato progettato tenendo sempre conto della sicurezza dell'utilizzatore. Durante l'operazione di ricarica si devono osservare alcune norme di sicurezza. Osservando scrupolosamente queste ultime, si minimizzano i rischi di eventi pericolosi che possono provocare lesioni personali o danni materiali.

## **IN GENERALE**

- Utilizzare tutti gli attrezzi per la ricarica come raccomandato dal produttore. Studiare le istruzioni attentamente e acquisire completa familiarità con il funzionamento del prodotto. Non prendere scorciatoie.
- Mantenere ordinata l'area di ricarica. Mantenere in ordine e puliti gli strumenti e i componenti. Rimuovere prontamente e completamente l'innesco e gli spargimenti di polvere.
- Ricaricare solo quando si è completamente concentrati sul processo. Non ricaricare quando si è stanchi o malati. Sviluppare una sequenza nell'operazione di ricarica al fine di evitare errori. Evitare la fretta – effettuare la ricarica a un ritmo rilassato.
- Indossare sempre occhiali protettivi.



## AVVERTENZE SUI COMPONENTI ELETTRICI

**⚠ AVVERTENZA: FARE ATTENZIONE QUANDO SI UTILIZZANO APPARECCHIATURE ELETTRICHE IN AREE BAGNATE O IN PROSSIMITÀ DI ACQUA. SI CONSIGLIA DI UTILIZZARE L'UNITÀ SU UNA PRESA GFCI CON UNA CORRENTE DI SGANCIO NOMINALE DI 30 mA PER FORNIRE PROTEZIONE CONTRO LE SCOSSE ELETTRICHE. L'INSTALLAZIONE DI UN CIRCUITO GFCI DEVE ESSERE ESEGUITA ESCLUSIVAMENTE DA UN TECNICO QUALIFICATO.**

**⚠ ATTENZIONE: lasciare l'unità scollegata fino a quando non si sono lette tutte le istruzioni e si è pronti per l'uso.**

- Il prodotto è dotato di un cavo di alimentazione staccabile a tre fili; collegare esclusivamente a una presa adeguata.
- Non utilizzare su pavimenti bagnati.
- Non collegare a prese elettriche fino a quando non viene fornita la tensione corretta.
- Posizionare tutti i cavi elettrici lontano da fonti di umidità, pioggia e parti in movimento.
- Controllare periodicamente tutti i cavi per verificare eventuali segni di usura/sfilacciamento e sostituire o riparare il cavo in caso di necessità.
- Non immergere mai l'unità in acqua o in altri liquidi nel tentativo di pulire l'unità.
- Non utilizzare mai l'unità se il cavo di alimentazione è danneggiato.
- Non tentare mai di smontare l'unità.
- Utilizzare sempre su una superficie piana.
- Scollegare sempre il cavo di alimentazione prima di effettuare regolazioni, pulizia, configurazione ecc.
- Scollegare sempre l'unità quando non la si utilizza.
- Lasciare intorno all'unità sufficiente spazio per il raffreddamento. Non conservare oggetti vicini all'unità mentre è in uso. Tenere le ventole di raffreddamento e le prese d'aria lontano da ostruzioni (stracci, borse, scatole ecc.).

**⚠ PERICOLO DI SCOSSA ELETTRICA. Per impedire scosse elettriche pericolose per la vita, osservare quanto segue:**

- Non utilizzare mentre si fa il bagno.
- Non immergere mai il dispositivo o il cavo di alimentazione in acqua o altri liquidi.
- Non toccare mai la spina di alimentazione con le mani bagnate, soprattutto quando si inserisce o si rimuove la spina.
- Se l'unità è caduta in acqua durante il funzionamento, non toccarla. Innanzitutto, rimuovere la presa di alimentazione dall'alloggio.
- Non spruzzare acqua o liquidi sul dispositivo.
- Quando si estrae il cavo dalla presa, afferrare la spina, non il cavo.
- Proteggere il cavo di alimentazione per evitare danni.
- Non utilizzare se la spina, il cavo di alimentazione, l'alloggiamento o altre parti del dispositivo risultano danneggiati.
- Il dispositivo deve essere smontato esclusivamente da professionisti qualificati presso RCBS.

## COLATURA

**La sovraesposizione al piombo può essere pericolosa. Il piombo causa problemi di salute e malattie che si verificano dopo lunghi periodi di esposizione al piombo.**

- La colatura dei proiettili non dovrebbe essere condotta in uno spazio confinato o in una stanza chiusa. Assicurarsi di fare uso di aree ben ventilate per evitare la formazione e l'inalazione di polvere, fumi ed esalazioni da piombo. Una buona ventilazione comprende una continua areazione trasversale con grandi quantità di aria fresca.
- Durante le attività di colatura dei proiettili dovrebbero essere indossate delle maschere antiparticolato.
- Durante la colatura o la lavorazione con il piombo colato, indossare sempre protezioni per gli occhi efficaci, indumenti protettivi appropriati, guanti da lavoro in pelle o in cotone spesso, e scarpe che coprano interamente piedi e caviglie. Indumenti protettivi possono includere tute da lavoro o tute intere. Ad ogni modo, gli indumenti non dovrebbero essere usati per nessun'altra

- attività. Dovrebbero essere lavati separatamente dagli altri indumenti. Queste precauzioni minimizzeranno la probabilità che la polvere del piombo venga sparpagliata in altri locali abitati.
- Mantenere buone pratiche di pulizia per assicurare che le superfici siano funzionali e libere da accumuli di polvere di piombo. L'aspirapolvere è il metodo preferito. È sconsigliato l'uso dell'aria compressa.
  - Mani, viso e capelli dovrebbero essere lavati sempre dopo aver lavorato vicino a polvere, fumi o esalazioni da piombo, e prima di mangiare, bere, fumare o applicare cosmetici. In caso contrario la probabilità di ingerire il piombo aumenta.
  - Per tutto il tempo, tenere i bambini piccoli molto lontani dall'area della colatura.
  - Non fumare, mangiare o maneggiare cibo quando si maneggia il piombo.
  - Fare sempre alcuni stampi di proiettili, il mestolo per il piombo e il metallo dei proiettili sono completamente privi di umidità.
  - Tutti i crogioli per la fusione dovrebbero essere messi a terra per ridurre il rischio di scosse elettriche.
  - I crogioli per la fusione in uso non dovrebbero mai essere lasciati incustoditi.
  - Assicurarsi che il crogiolo per la fusione e la fonte di calore siano stabili, e il tavolo o il piano di lavoro sia solido.
  - Si consiglia di posizionare uno stampo per lingotti o un altro contenitore adeguato sotto l'ugello per raccogliere eventuali fuoriuscite di piombo.
  - Evitare sempre l'umidità vicino al piombo fuso. Se l'umidità penetra nel piombo fuso, il liquido evaporerà istantaneamente generando un'eruzione di vapore che causa spruzzate di piombo imprevedibili che possono causare danni all'utente.
  - Non mettere in funzione la fornace senza piombo nel crogiolo.
  - Non tentare di muovere la fornace mentre è calda.

## **TENUTA DEI REGISTRI**

- Conservare un registro completo delle ricariche. Applicare un'etichetta descrittiva su ogni confezione, indicando la data di produzione, gli inneschi, la polvere ed i proiettili impiegati.

Poiché RCBS non ha il controllo relativo alla scelta, alle modalità di assemblaggio o all'utilizzo del prodotto o delle armi in cui possano essere utilizzate le munizioni, non si assume responsabilità, esplicite o meno, relative all'utilizzo di munizioni ricaricate con questo prodotto.

---

## **INTRODUZIONE**

La nuova secchia di colata EASY MELT™ di RCBS® è una necessità per coloro che amano colare proiettili in piombo con una tradizionale secchia di colata. La capacità del crogiolo di 11 kg (25 pound) è abbastanza per colare centinaia di proiettili. Il controllo programmabile della temperatura ha un display digitale che garantisce precisione. Un coperchio a cerniera riscalda gli stampi e allo stesso tempo non permette ai detriti di entrare. La nuova secchia di colata EASY MELT™ è una scelta tradizionale per chi ama fabbricare proiettili.

## **APERTURA DELLA CONFEZIONE**

Aprire la confezione di EASY MELT con attenzione e cercare gli articoli elencati di seguito.

- Corpo e base di EASY MELT
- Cavo di alimentazione CA

Se qualche parte dovesse risultare mancante, comunicarlo immediatamente al fornitore.

Vedere "Referenza parti" a pag. 37

## **INSTALLAZIONE**

EASY MELT viene consegnato preassemblato e pronto per l'uso, non è necessario alcun montaggio.

## UTILIZZO:

1. Collegare il cavo di alimentazione CA all'unità EASY MELT, quindi inserire l'altra estremità del cavo di alimentazione CA nella presa CA corretta.
2. Aggiungere lingotti o piccoli pezzi di piombo al crogiolo di fusione, sistemandoli il più possibile a ridosso delle pareti.
3. Utilizzando il termostato digitale, impostare la temperatura di fusione desiderata. (Vedere "Funzionamento termostato digitale" a pag. 36 e di seguito "Temperature di colata consigliate" per leghe specifiche).

Temperature di colata consigliate	
Lega	Temp. colata (°C)
Piombo puro	700
Stagno – Piombo 1:20	700
Stagno – Piombo 1:10	700
Linotype	775
Pesi ruota*	775
*Composizione e proprietà variano	

4. Continuare ad aggiungere lingotti o piccoli pezzi di piombo per raggiungere la capacità desiderata del crogiolo di fusione. La capacità del crogiolo di fusione è di 11 kg (25 lb) di materiale. Non utilizzare EASY MELT con meno di 1" di lega nel crogiolo di fusione.
5. Utilizzando un mestolo per colata (*venduto separatamente*), immergerlo nel crogiolo di fusione per riempirlo con materiale fuso. Versare il materiale nei blocchi stampo usando il metodo di versamento a pressione o per gravità.

**⚠ AVVERTENZA.** Non tentare di immergere i blocchi stampo direttamente nel materiale fuso nel crogiolo. Qualsiasi traccia di umidità o olio nel blocco stampo causerà una reazione violenta con potenziali danni personali o morte.

## RISCALDAMENTO DEI BLOCCHI STAMPO

1. Dopo aver aggiunto tutto il materiale al crogiolo di fusione, ruotare il coperchio per coprire completamente il crogiolo di fusione; questo velocizzerà il processo di riscaldamento e aiuterà a tenere lontani i detriti dal crogiolo di fusione.
2. Il coperchio può essere usato anche per riscaldare i blocchi stampo. È sufficiente posizionare il blocco stampo sopra il coperchio per riscaldarlo in attesa che il materiale nel crogiolo di fusione raggiunga la temperatura di colata desiderata, (Foto 1).

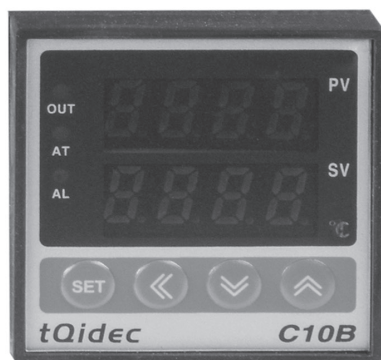


Foto 1

## NOTE DI UTILIZZO

- Per istruzioni sulla colatura dei proiettili, consultare il libro di istruzioni in dotazione con gli stampi per proiettili.
- Quando si fondono metalli per produrre una lega, assicurarsi sempre di usare i metalli raccomandati e nelle quantità raccomandate.

## FUNZIONAMENTO TERMOSTATO DIGITALE



**⚠ ATTENZIONE: non utilizzare se esposto ad ambienti con temperature al di fuori dell'intervallo 32-122 °F (0-50°C).**

### Doppio display

- **PV:** Present Value (valore misurato della temperatura del crogiolo)
- **SV:** Set Value (temperatura del crogiolo desiderata)

### Indicatori LED

- **Out:** l'unità di riscaldamento è accesa e sta scaldando il crogiolo di fusione
- **AT:** il termostato sta regolando l'output per assicurare che la temperatura del crogiolo di fusione misurata (PV) corrisponda alla temperatura del crogiolo desiderata (SV)
- **AL:** si illumina per avvisare l'utente quando la temperatura PV è 30-50 °F (0-10°C) più alta della SV

## FUNZIONAMENTO

### Per impostare la temperatura desiderata:

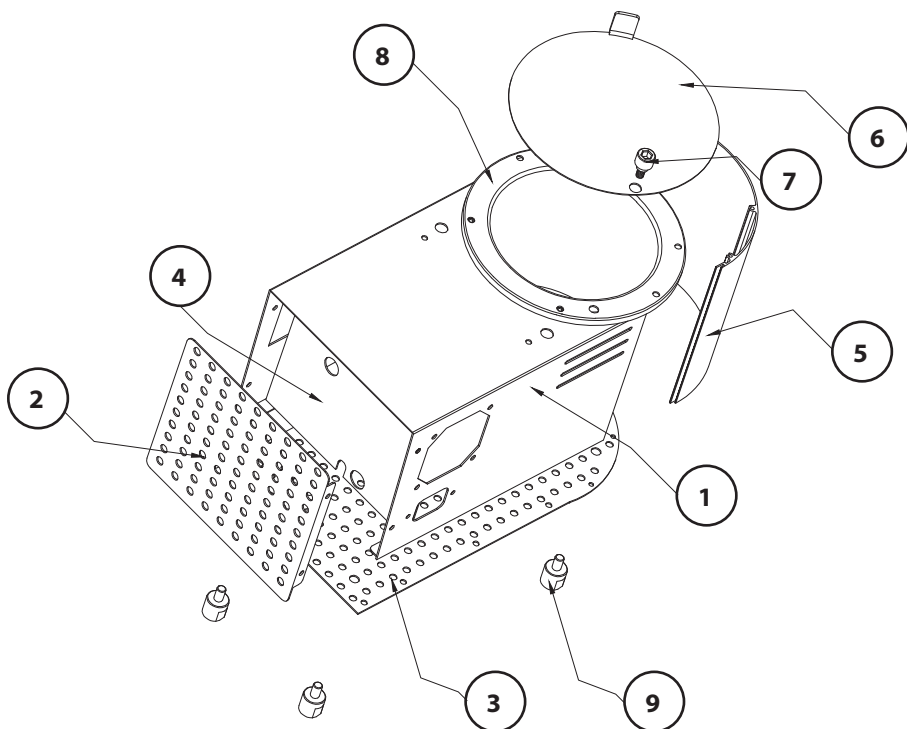
1. Premere il tasto **IMPOSTA**. Il display **SV** inizierà a lampeggiare.
2. Usare i tasti "**▲**" (aumenta valore) e "**▼**" (diminuisce valore) per impostare la temperatura del crogiolo di fusione desiderata.
3. Una volta raggiunto il valore desiderato, usare il tasto "**◀**" per andare al valore successivo, e usare i tasti "**▲**" e/o "**▼**" per aumentare o diminuire il valore.
4. Quando viene visualizzata la temperatura desiderata (**SV**), premere il pulsante **IMPOSTA** per confermare il valore di temperatura desiderato e iniziare il riscaldamento.

### Per spegnere l'unità:

1. Premere il tasto **IMPOSTA**, il display inizierà a lampeggiare.
2. Usare i tasti "**▲**", "**▼**", e "**◀**" per impostare la temperatura **SV** a 0 °F, in questo modo il sistema di riscaldamento del crogiolo di fusione si spegnerà.
3. Il ventilatore continuerà a funzionare per raffreddare l'unità.
4. Quando l'unità si è raffreddata e il display **PV** indica 160°F (71°C), scollegare il cavo CA dall'unità per spegnere completamente l'unità.

**⚠ ATTENZIONE: rischio di ustioni.**  
**Non toccare l'unità durante o dopo il funzionamento finché non si è raffreddata.**

## REFERENZA PARTI



N. parte	Descrizione	Q.tà
1	Corpo	1
2	Tavola posteriore	1
3	Piatto inferiore	1
4	Piatto isolante	2
5	Pannello anteriore	1
6	Coperchio	1
7	Perno del coperchio	1
8	Crogiolo di fusione	1
9	Piedi	4

## **GARANZIA LIMITATA PER DUE ANNI**

Complimenti per avere acquistato il nuovo RCBS EASY MELT. Il nuovo EASY MELT ha una garanzia contro difetti dei materiali e di fabbricazione, per un periodo di due (2) anni dalla data di acquisto. Questa garanzia copre solo l'acquirente originale. In caso di dubbi relativi a possibili difetti dei materiali o di fabbricazione di EASY MELT, si prega di rispedirlo a RCBS, in porto franco, per una valutazione. Se difettoso, il prodotto verrà riparato o sostituito da parte di RCBS, senza alcun costo

Spedire un assegno per l'importo di dieci dollari (10\$) USD pagabili a nome di RCBS, per la spedizione e il servizio, insieme all'unità all'indirizzo:

RCBS  
605 Oro Dam Blvd East  
Oroville, California, 95965

Il diritto alla garanzia decade se non si soddisfano i requisiti sopra indicati.

LA PRESENTE GARANZIA NON COPRE DIFETTI O DANNI IMPUTABILI A TRASCURATEZZA, USO IMPROPRIO, INSTALLAZIONE ERRONEA E MODIFICHE O SE EASY MELT È STATO RIPARATO O MODIFICATO DA PERSONALE NON AUTORIZZATO DALLA FABBRICA.

IL DIRITTO ALLA GARANZIA DECADE SE NON SI SODDISFANO I REQUISITI SOPRA INDICATI.

Conservare il presente certificato di garanzia per riferimenti futuri.

LE GARANZIE IMPLICITE DI COMMERCIALITÀ E IDONEITÀ PER SCOPI PARTICOLARI SONO LIMITATE ALLA DURATA DELLA GARANZIA LIMITATA. LA RCBS OPERATION NON È RESPONSABILE PER DANNI SUPERIORI AL PREZZO DI ACQUISTO DEL PRODOTTO E, IN NESSUNA CIRCOSTANZA SI POTRANNO IMPUTARE A RCBS OPERATION EVENTUALI DANNI CONSEGUENZIALI O DERIVANTI DA INCIDENTI. CONSIDERANDO CHE ALCUNE GIURISDIZIONI NON AMMETTONO L'ESCLUSIONE O LA LIMITAZIONE DI DANNI INCIDENTALI O CONSEGUENZIALI, L'ESCLUSIONE O LA LIMITAZIONE DI CUI SOPRA POTREBBE COMUNQUE NON RISULTARE APPLICABILE.

La suddetta garanzia copre il consumatore solo ed esclusivamente per eventuali difetti materiali o di fabbricazione di EASY MELT. La presente garanzia tutela diritti legali specifici. Possono esistere ulteriori eventuali diritti, dipendendo dalla giurisdizione.

### **CONTATTI:**

RCBS  
605 Oro Dam Blvd East  
Oroville, California, 95965  
1-800-379-1732 (USA o Canada)  
Numero di fax: 530-533-1647  
E-mail: [rcbs.tech@vistaoutdoor.com](mailto:rcbs.tech@vistaoutdoor.com)  
Sito Web: [www.rcbs.com](http://www.rcbs.com)



# **RCBS**®

**PRECISIONEERED RELOADING EQUIPMENT**

We think we make the world's best reloading equipment.  
If you agree, please tell your friends.  
If you disagree, tell us—we want to do something about it!

Customer Service

1-800-379-1732 (U.S. or Canada)

Hours: Monday - Friday, 5:00 a.m. – 5:00 p.m. Pacific Time  
(hours may vary)

E-mail [rcbs.tech@vistaoutdoor.com](mailto:rcbs.tech@vistaoutdoor.com), or visit [www.rcbs.com](http://www.rcbs.com)

RCBS • 605 Oro Dam Blvd. East • Oroville, CA 95965

7190

RCBS® is a registered trademark of Vista Outdoor Inc.